

Parts Catalog

Phoenix 26



Table of Contents

Chassis, cpl. part 1 (97097513-1)	4
Chassis, cpl. part 2 (97097513-2-7062-33-34 A)	6
Chassis, cpl. part 2 (97097513-2-7062-33-34 B)	10
Chassis, cpl. part 3 - Suction unit connection (97097513-3)	14
Battery tray (97099956)	29
Hopper cpl. part1 - Lifting cyl. brush hd./disk brush hd. (97111819-1-7062-40)	31
Hopper cpl. part2 (97111819-2)	35
Adapter disk brush head lifting (97093967)	37
Squeegee 950mm (97094502)	39
Squeegee 950mm, cpl. (Available! No.: 01178270) (01178270)	44
Suction (97092811)	49
Squeegee operation (97099600)	51
Squeegee lock (97099931)	53
Operation handle, cpl. (97099998)	55
Electric part 1 (97099816-1)	59
Electric part 2 (97099816-2)	63
Battery charger 24V 22A (97099436)	65
Labels (97099972)	67
Brush head DB650 part 1 (97099196-7062-33)	69
Brush head DB650 part 2 (97099196-2)	71
Brush head DB650 part 3 (97099196-3)	73

This manual covers all standard Phoenix 26 models:

Model No.

The machine will provide excellent service. However, the best results will be obtained if:

- The machine is operated with reasonable care.
- The machine is maintained regularly per the maintenance schedule in the instruction manual provided.
- The machine is maintained with PowerBoss OEM supplied or equivalent parts.

All right side and left side references to the machine are determined by facing the direction of forward travel. Parts may be ordered by phone or mail from any PowerBoss parts and service center. Before ordering parts or supplies be sure to have your machine model number and serial number handy.

Fill out the data block below for future reference.

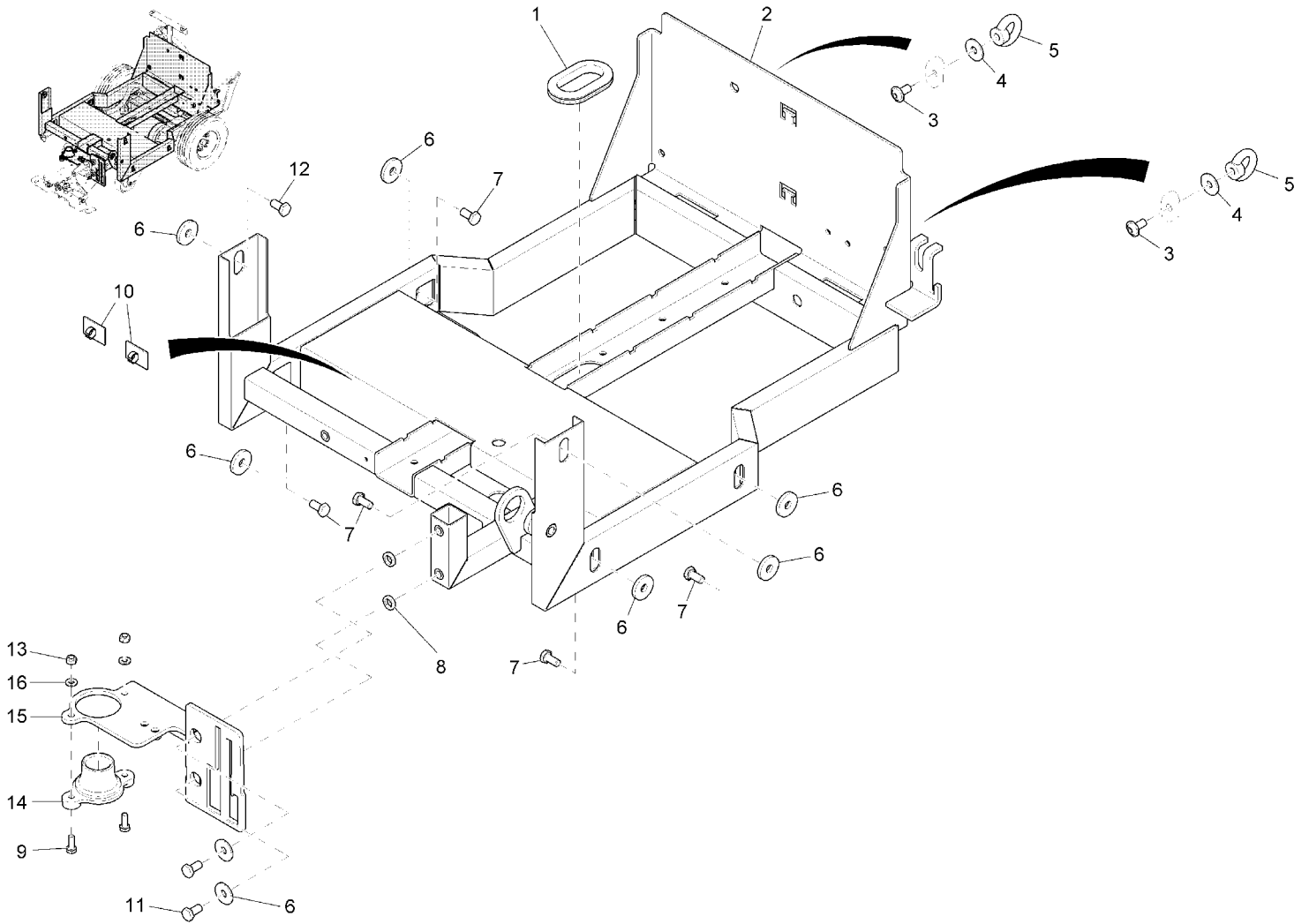
MACHINE DATA Fill Out At Installation	
Model:	Phoenix 26
Serial Number:	_____
Sales Rep or Dealer	_____
Date of Install:	_____
Manual p/n:	988026PB

All information contained in this manual is current at the time of printing However,PowerBoss Reserves the right to make changes at any time without notice.

© 2012, Powerboss, Inc., Printed in USA

All rights reserved. This manual may not be copied or reproduced in any form, without the written permission of PowerBoss,Inc.

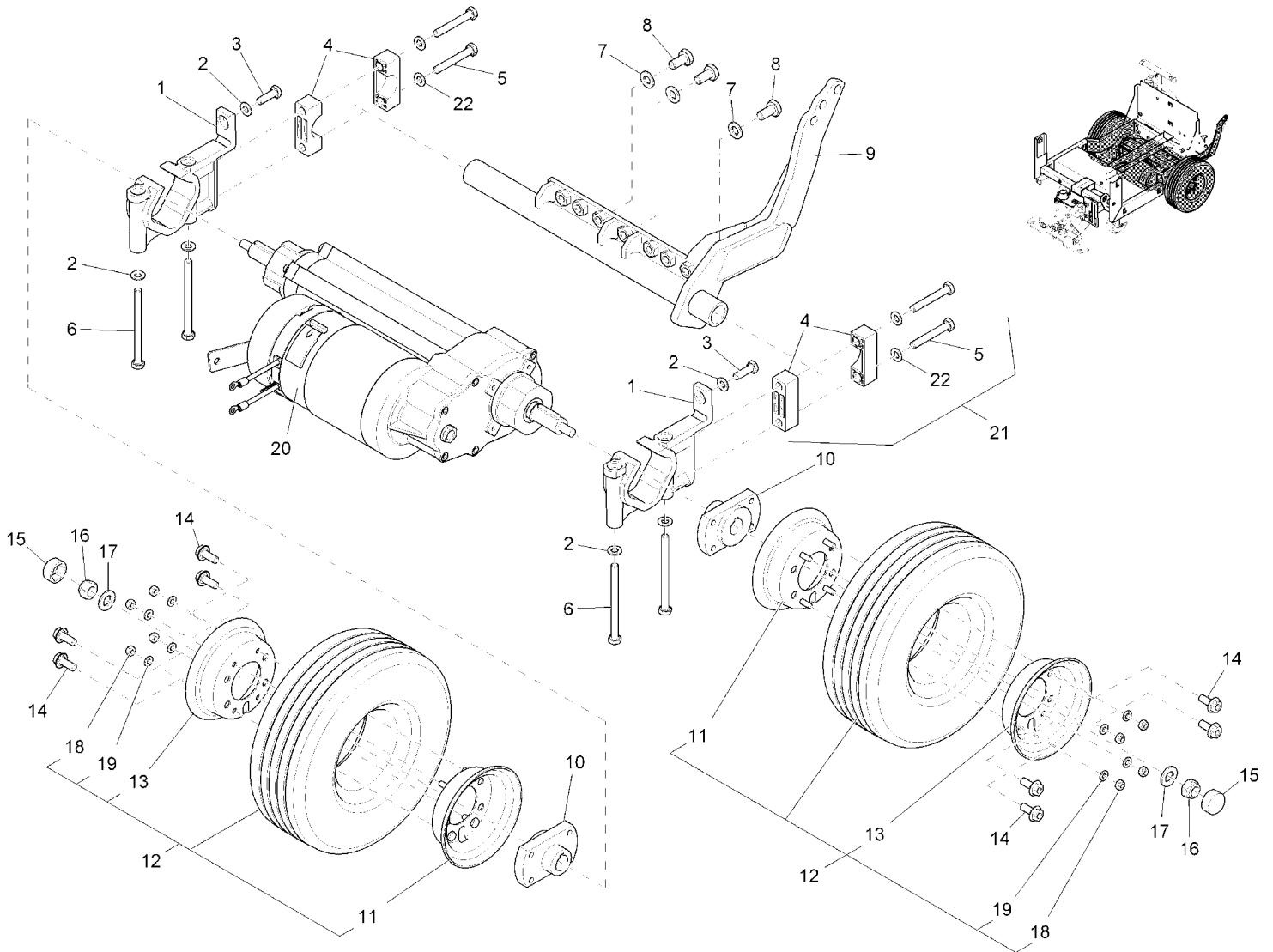
Chassis, cpl. part 1 (97097513-1)



Chassis, cpl. part 1 (97097513-1)

Item	Part number	Description	Qty.	Remarks
1	01078440	Grommet	1	
2	03007640	Chassis	1	
3	01006820	Lens flange screw	2	
4	00042900	Washer	4	
5	01078450	Nut	2	
6	00047990	Disk wheel	10	
7	00053080	Hexagon screw	8	
8	01079670	Spacer sleeve	2	
9	00053020	Hexagon screw	2	
10	01143190	Cable clip	2	
11	00053100	Hexagon screw	2	
12	00553690	Hex.bolt	1	
13	00051520	Hexagon nut	2	
14	01077780	Bushing	1	
15	01079680	Sheet metal	1	
16	00053730	Washer	2	

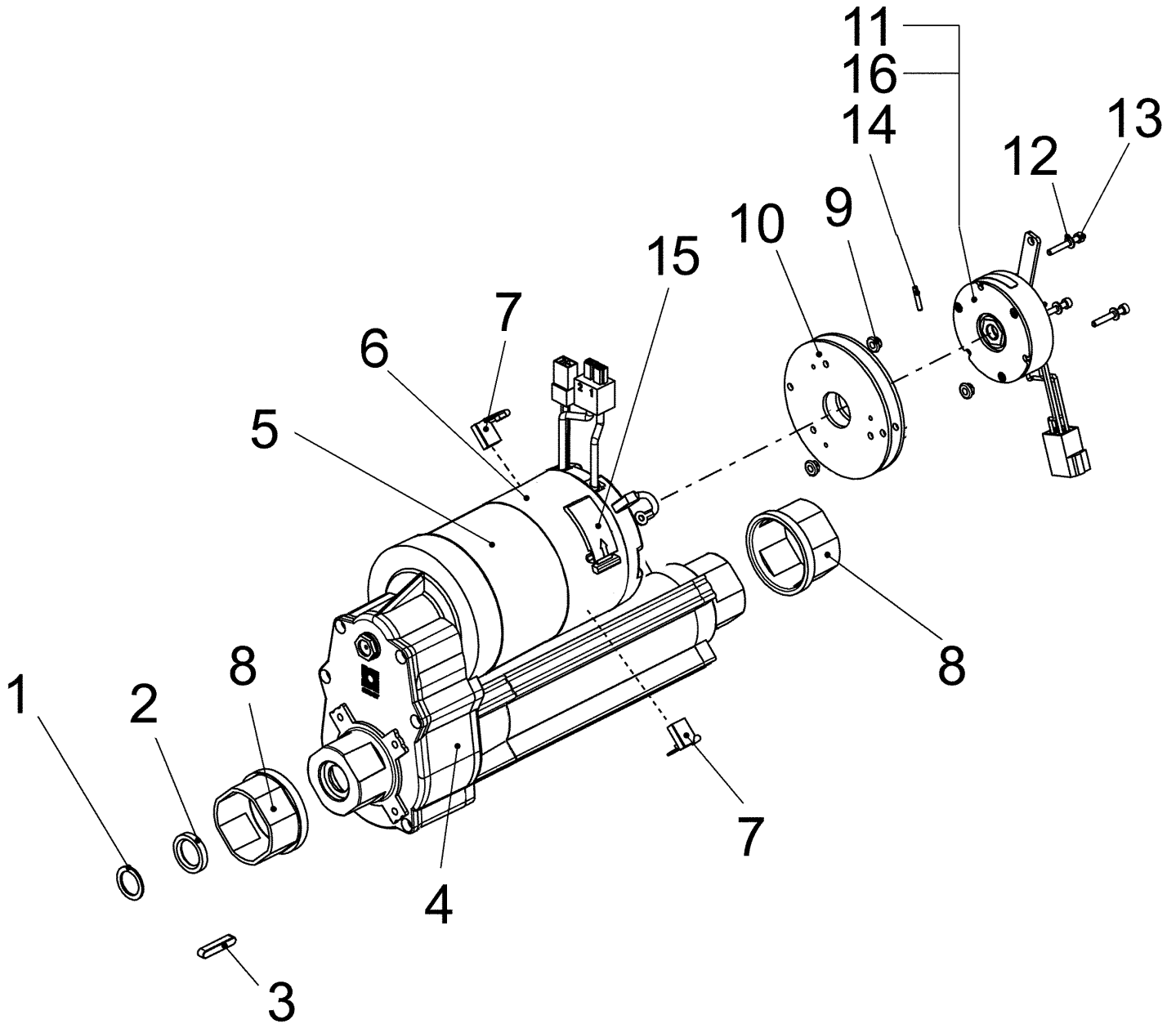
Chassis, cpl. part 2 (97097513-2-7062-33-34 A)



Chassis, cpl. part 2 (97097513-2-7062-33-34 A) 1900-01-01 --> 2008-05-31

Item	Part number	Description	Qty.	Remarks
1	01078480	Bearing AMER	2	
2	00053750	Washer	10	
3	00053100	Hexagon screw	1	
4	01078020	Block	4	from appr. march 2008; if you want to exchange older blocks, please order Pos. 21!
5	00053260	Hex.bolt	4	
6	00053140	Hex.bolt	4	
7	00053760	Washer	3	
8	00053310	Hexagon screw	3	
9	01078490	Lever	1	
10	01078010	Hub	2	
11	00621690	Rim half	2	
12	01056130	Wheel	2	
13	00621710	Rim	2	
14	00959310	Hex.bolt	8	
15	01031540	protection cap	2	
16	00051490	Hexagon nut	2	
17	00053770	Washer	2	
18	00051520	Hexagon nut	8	
19	00053730	Washer	8	
20	01170350	Traction drive AMER Brake	Page 8	
21	00008980	Block	1	incl. Pos. 4, 5, 22. please order kit because it's necessary to exchange all 4 blocks
22	00042900	Washer	4	

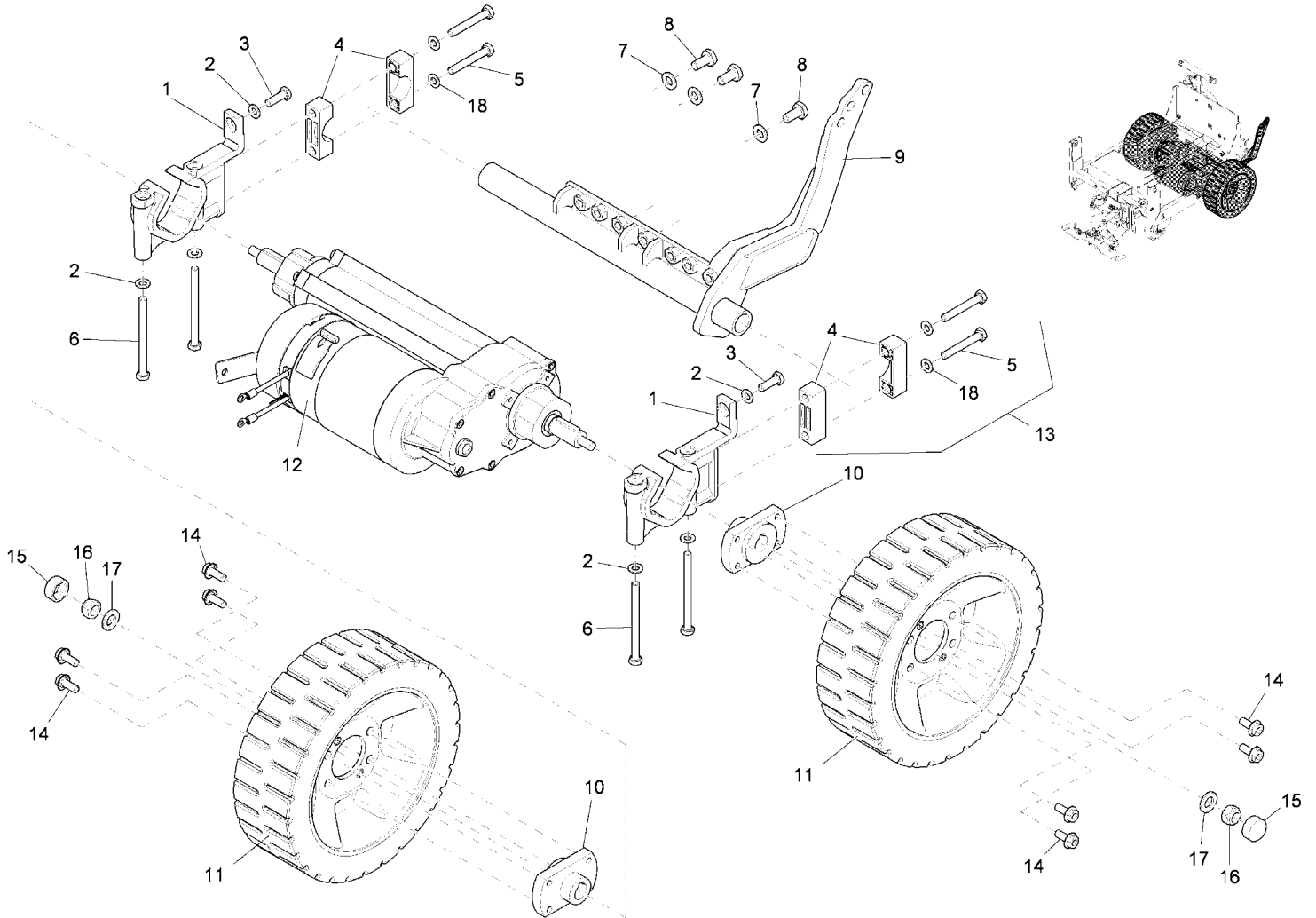
Traction drive AMER Brake (01170350)



Traction drive AMER Brake (01170350)

Item	Part number	Description	Qty.	Remarks
1	01077430	Washer	2	
2	01077420	Gasket	3	
3	01077410	Fitting key	2	
4	01077390	Gear box with shaft	1	
5	01170920	Motor	1	
6	01077360	Covering	1	
7	01077350	Carbon brush	4	
8	01077400	Bushing	2	
9	01077380	Nut	4	
10	XXXXXXXX	no part-No. til yet	2	Brake flange
11	01171710	Parking brake	1	
12	01171720	Washer	3	
13	01171730	Screw	3	
14	01171700	Spring pin	1	
15	01173630	Mounting clip	1	
16	01173050	Micro switch	1	

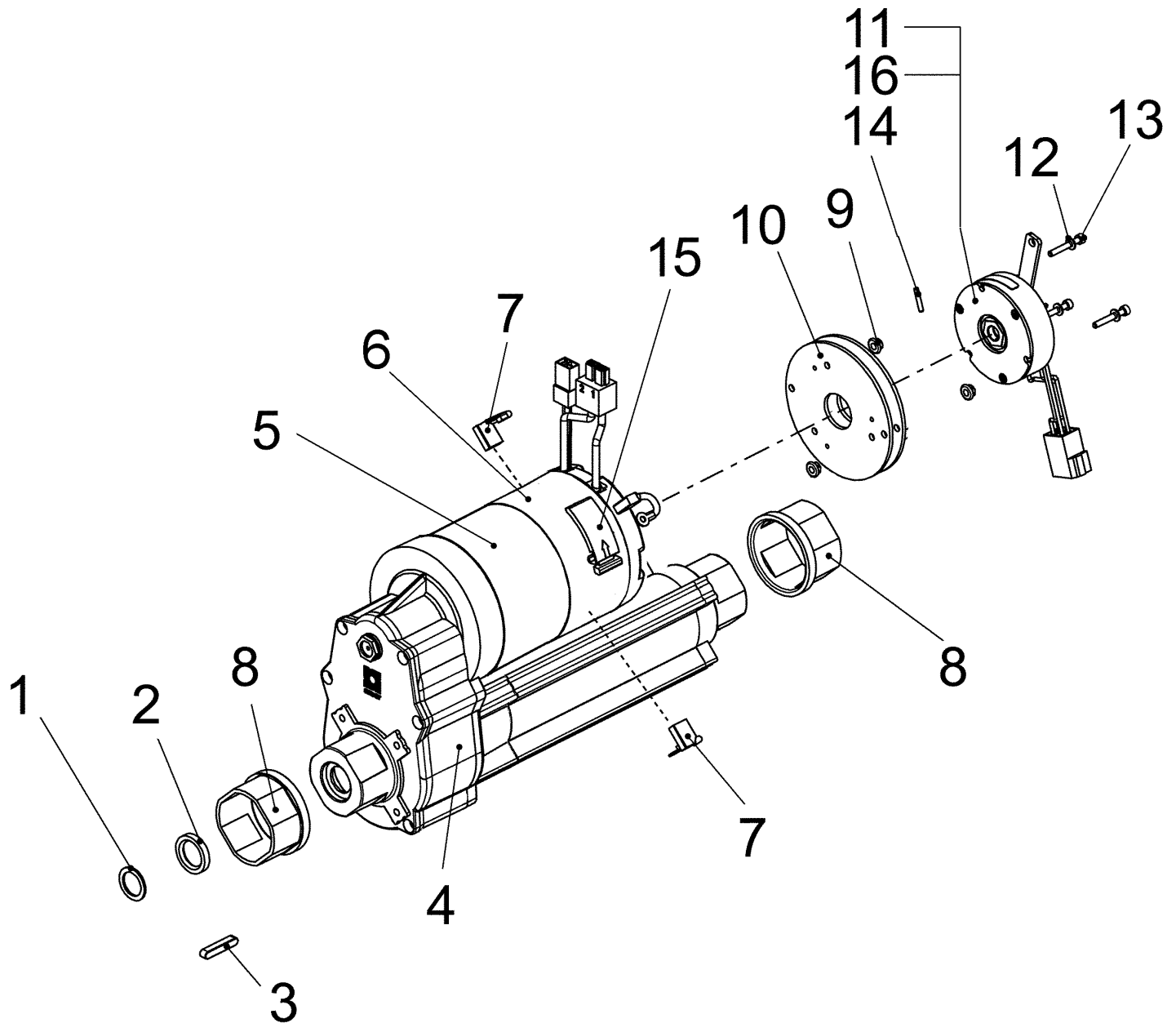
Chassis, cpl. part 2 (97097513-2-7062-33-34 B)



Chassis, cpl. part 2 (97097513-2-7062-33-34 B) 2008-06-01 -->

Item	Part number	Description	Qty.	Remarks
1	01078480	Bearing AMER	2	
2	00053750	Washer	10	
3	00053100	Hexagon screw	1	
4	01078020	Block	4	from appr. march 2008; if you want to exchange older blocks, please order Pos. 13!
5	00053260	Hex.bolt	4	
6	00053140	Hex.bolt	4	
7	00053760	Washer	3	
8	00053310	Hexagon screw	3	
9	01078490	Lever	1	
10	01078010	Hub	2	
11	01071180	Wheel	2	
12	01170350	Traction drive AMER Brake	Page	12
13	00008980	Block	1	incl. Pos. 4, 5, 10. please order kit because it's necessary to exchange all 4 blocks
14	01171260	Hexagon screw	8	Tightening torque: 38 Nm
15	01031540	protection cap	2	
16	00051490	Hexagon nut	2	
17	00053770	Washer	2	
18	00042900	Washer	4	

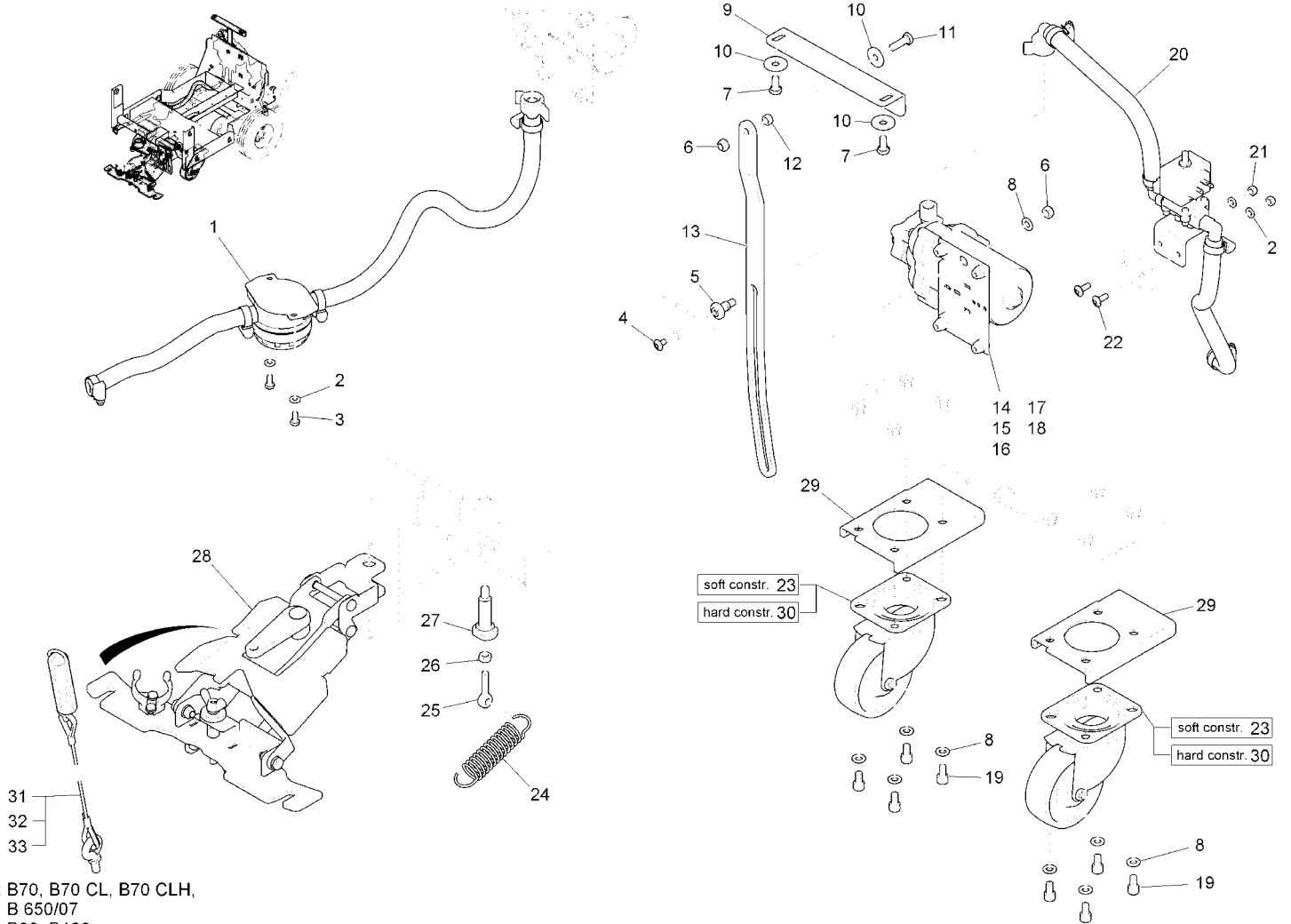
Traction drive AMER Brake (01170350)



Traction drive AMER Brake (01170350)

Item	Part number	Description	Qty.	Remarks
1	01077430	Washer	2	
2	01077420	Gasket	3	
3	01077410	Fitting key	2	
4	01077390	Gear box with shaft	1	
5	01170920	Motor	1	
6	01077360	Covering	1	
7	01077350	Carbon brush	4	
8	01077400	Bushing	2	
9	01077380	Nut	4	
10	XXXXXXXX	no part-No. til yet	2	Brake flange
11	01171710	Parking brake	1	
12	01171720	Washer	3	
13	01171730	Screw	3	
14	01171700	Spring pin	1	
15	01173630	Mounting clip	1	
16	01173050	Micro switch	1	

Chassis, cpl. part 3 - Suction unit connection (97097513-3)



- 31: B70, B70 CL, B70 CLH, B 650/07
- 32: B90, B120
- 33: B90CL, B90 CLH

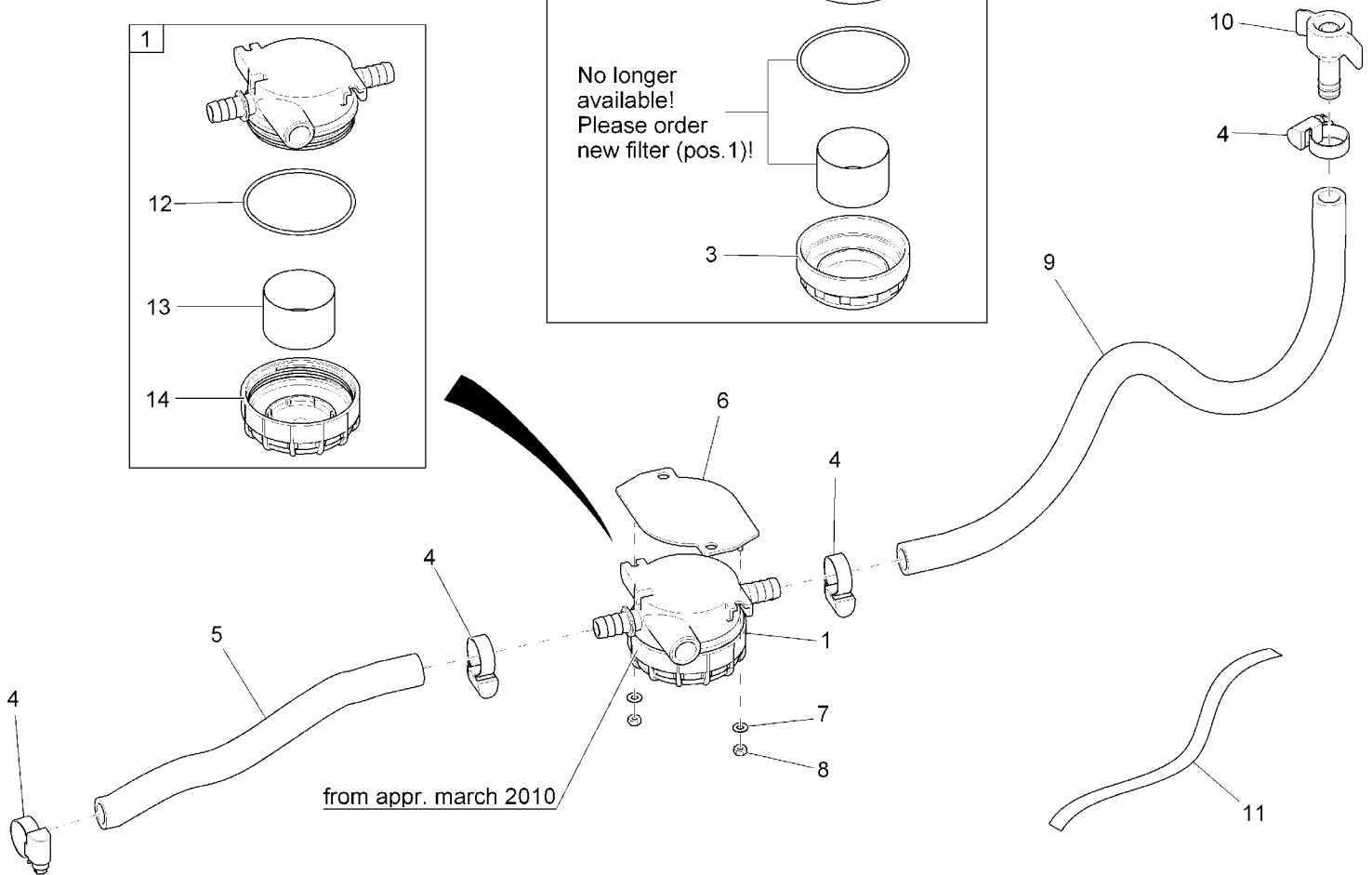
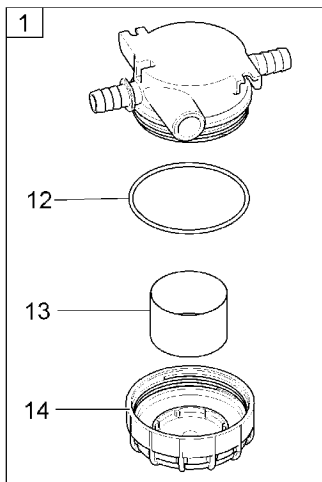
Chassis, cpl. part 3 - Suction unit connection (97097513-3)

Item	Part number	Description	Qty.	Remarks
1	97094981	Water supply	Page	16
2	00053730	Washer	4	
3	00053010	Hex.bolt	2	
4	01072520	Lens flange screw	1	
5	01077820	Bushing	1	
6	00051510	Hexagon nut	2	
7	00053080	Hexagon screw	10	
8	00053750	Washer	9	
9	01077760	Retainer	1	
10	00042900	Washer	3	
11	00053100	Hexagon screw	2	
12	01077700	Bushing	1	
13	01170260	Sheet metal	1	
14	00543750	Pump	1	
15	00559670	Case	1	
16	00083640	Plastic cover	1	
17	00083650	Plastic cover	1	
18	00903190	Tab	1	
19	00103300	Socket head screw	8	
20	97094999-7062-20	Water supply	Page	18
21	00051520	Hexagon nut	2	
22	01017640	Lens flange screw	2	
23	01079660	Steering roller	2	Soft construction
24	01078150	Tension spring	1	
25	00735690	Eye bolt	1	
26	00046500	Hex. Nut	1	
27	01077830	Pivot	1	
28	03008100	Squeegee connection (Available! No.: 03008100)	Page	20
29	01170380	Sheet metal	2	
30	01079440	Steering roller	2	Hard construction
31	01077980	Linkage	1	with B 70, B70 CL, B70 CLH, B650/07, MMAN E 26, Phoenix 26
32	01170560	Linkage	1	with B 90, B120, MMAN E28, 30, 33, 33XL, Phoenix 35
33	01170620	Linkage	1	with B90 CL, CLH, Phoenix 28, 30

Water supply (97094981)

Parts for water filter
as until
appr. febr. 2010

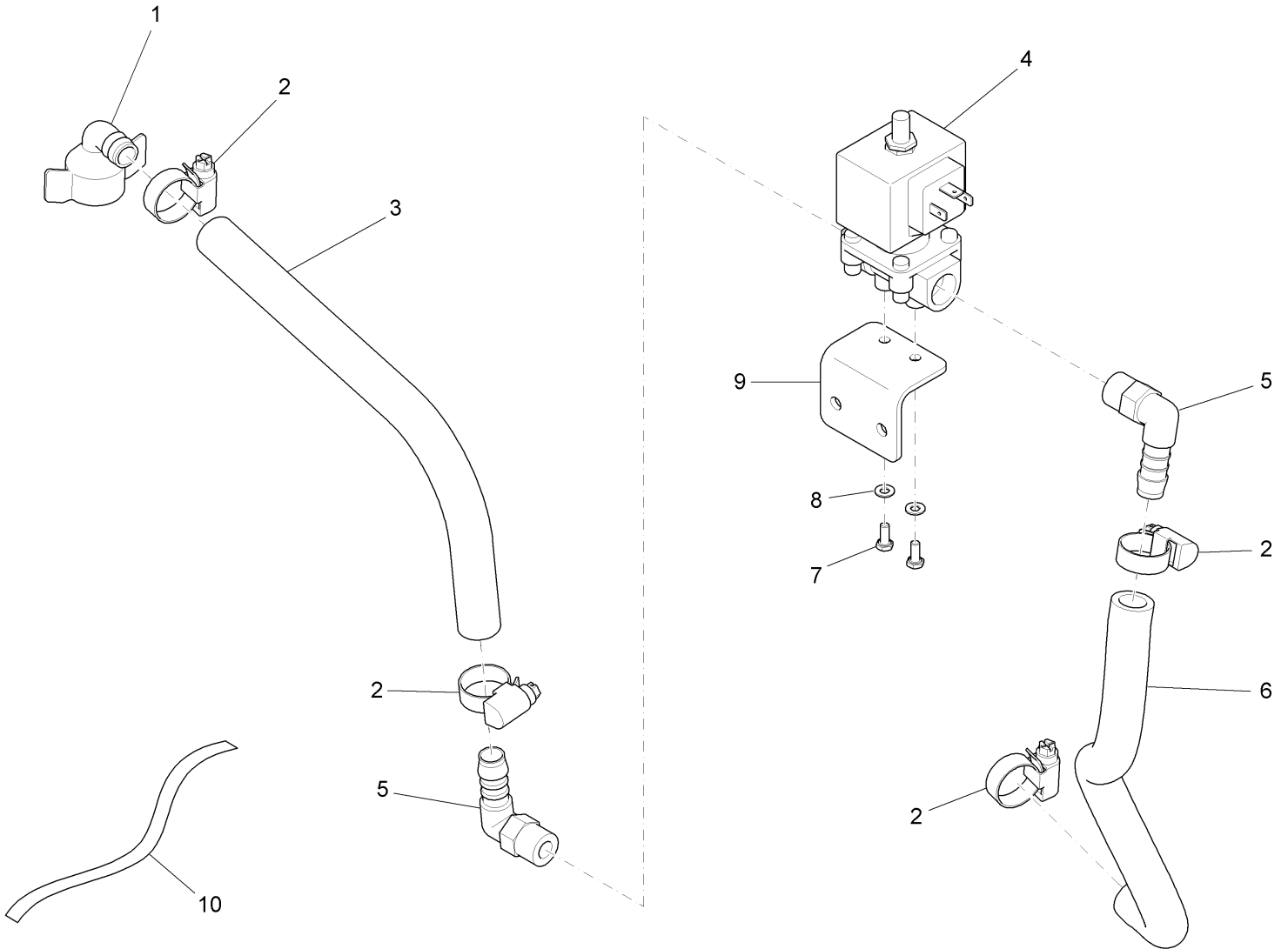
No longer
available!
Please order
new filter (pos. 1)!



Water supply (97094981)

Item	Part number	Description	Qty.	Remarks
1	01077170	Water filter	1	
3	01076500	Screw cap	1	
4	01015350	Hose clamp	4	
5	00200170	PVC hose	300mm	
6	01078510	Sheet metal	1	
7	00053710	Washer	2	
8	00133830	Hex. Nut	2	
9	00200170	PVC hose	480mm	
10	01071450	Screwing	1	
11	03007630	Sealing band	1	
12	01178130	O-ring	1	
13	01178210	Strainer	1	
14	01177090	Filter cover	1	

Water supply (97094999-7062-20)





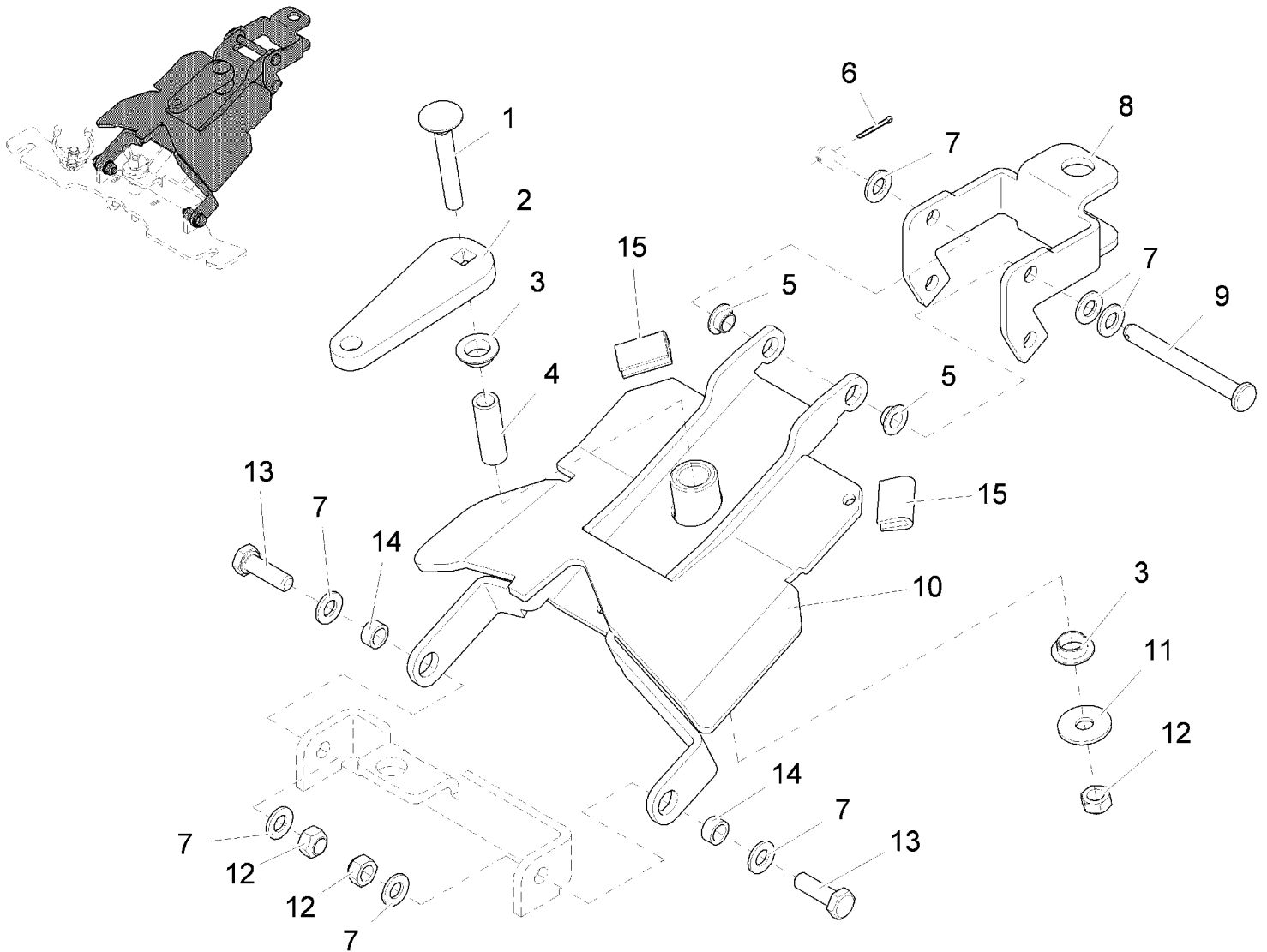
Water supply (97094999-7062-20)

Item	Part number	Description	Qty.	Remarks
1	00154140	Screwed angle fitting	1	
2	01015350	Hose clamp	4	
3	00200170	PVC hose	1	
4	01071000	Electrovalve	1	
5	00020020	Angle socket	2	
6	00200170	PVC hose	1	
7	00058580	Hex.bolt	2	
8	00053710	Washer	2	
9	01170030	Retainer	1	
10	03007630	Sealing band	1	

Squeegee connection (Available! No.: 03008100) (03008100)

Assembly	Description	Page
97099915-1	Squeegee connection (until appr. 15. Apr. 2008) part 1	21
97099915-2	Squeegee connection (until appr. 15. Apr. 2008) part 2	23
03008100BT10	Squeegee connection (from appr. 15. Apr. 2008) part 1	25
03008100BT20	Squeegee connection (from appr. 15. Apr. 2008) part 2	27

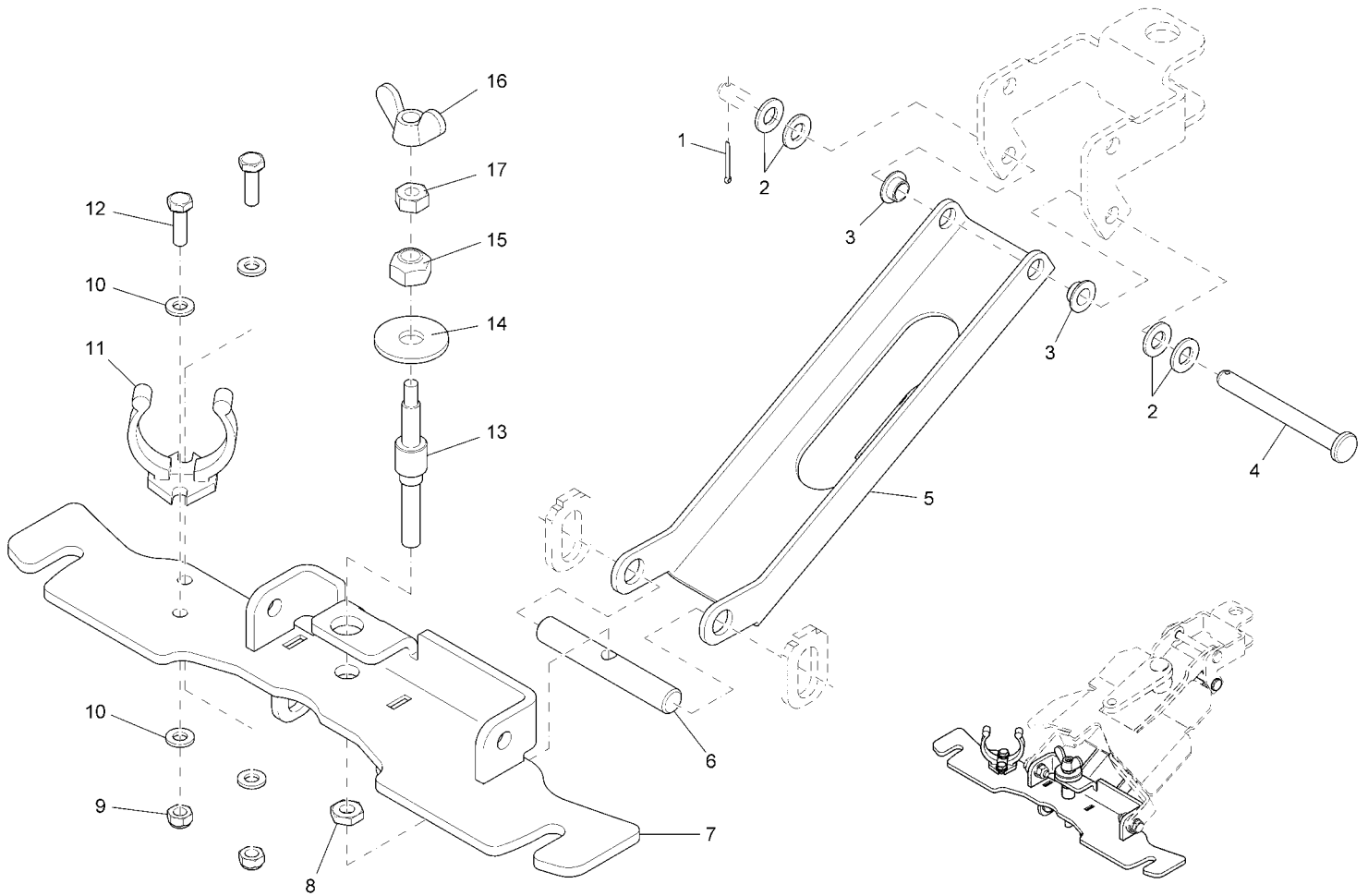
Squeegee connection (until appr. 15. Apr. 2008) part 1 (97099915-1)



Squeegee connection (until appr. 15. Apr. 2008) part 1 (97099915-1)

Item	Part number	Description	Qty.	Remarks
1	01130940	Cup head square neck bolt	1	
2	01170040	Sheet metal	1	
3	01077510	Slide bearing bush	2	
4	01170160	Pipe	1	
5	01078230	Slide bearing bush	2	
6	00054860	Cotter pin	1	
7	00053750	Washer	5	
8	01079280	Round part	1	
9	01078220	Bolt	1	
10	01079290	Sheet metal	1	
11	00042900	Washer	1	
12	00051510	Hexagon nut	3	
13	00053100	Hexagon screw	2	
14	01077700	Bushing	2	
15	00161240	Edge protection	1	

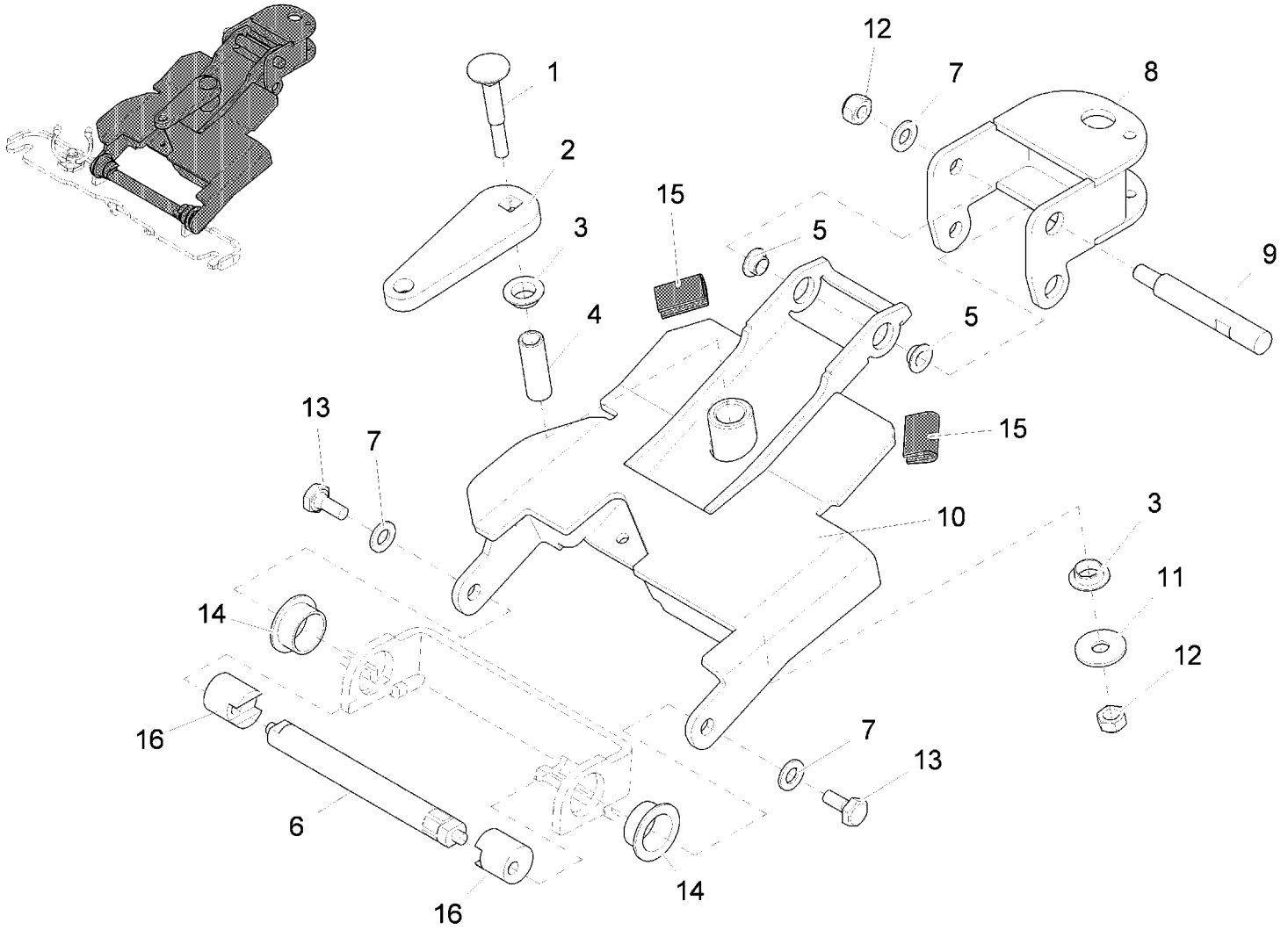
Squeegee connection (until appr. 15. Apr. 2008) part 2 (97099915-2)



Squeegee connection (until appr. 15. Apr. 2008) part 2 (97099915-2)

Item	Part number	Description	Qty.	Remarks
1	00054860	Cotter pin	1	
2	00053750	Washer	1	
3	01078230	Slide bearing bush	2	
4	01170050	Bolt	1	
5	01079320	Draft link	1	
6	01077680	Bolt	1	
7	01079330	Sheet metal	1	
8	00046500	Hex. Nut	2	
9	00051520	Hexagon nut	2	
10	00053730	Washer	4	
11	01078120	Hose support	1	
12	00053020	Hexagon screw	2	
13	01077850	Threaded pin	1	
14	00042900	Washer	1	
15	00051510	Hexagon nut	1	
16	00054020	Wing nut	1	
17	00053330	Hexagon nut	1	

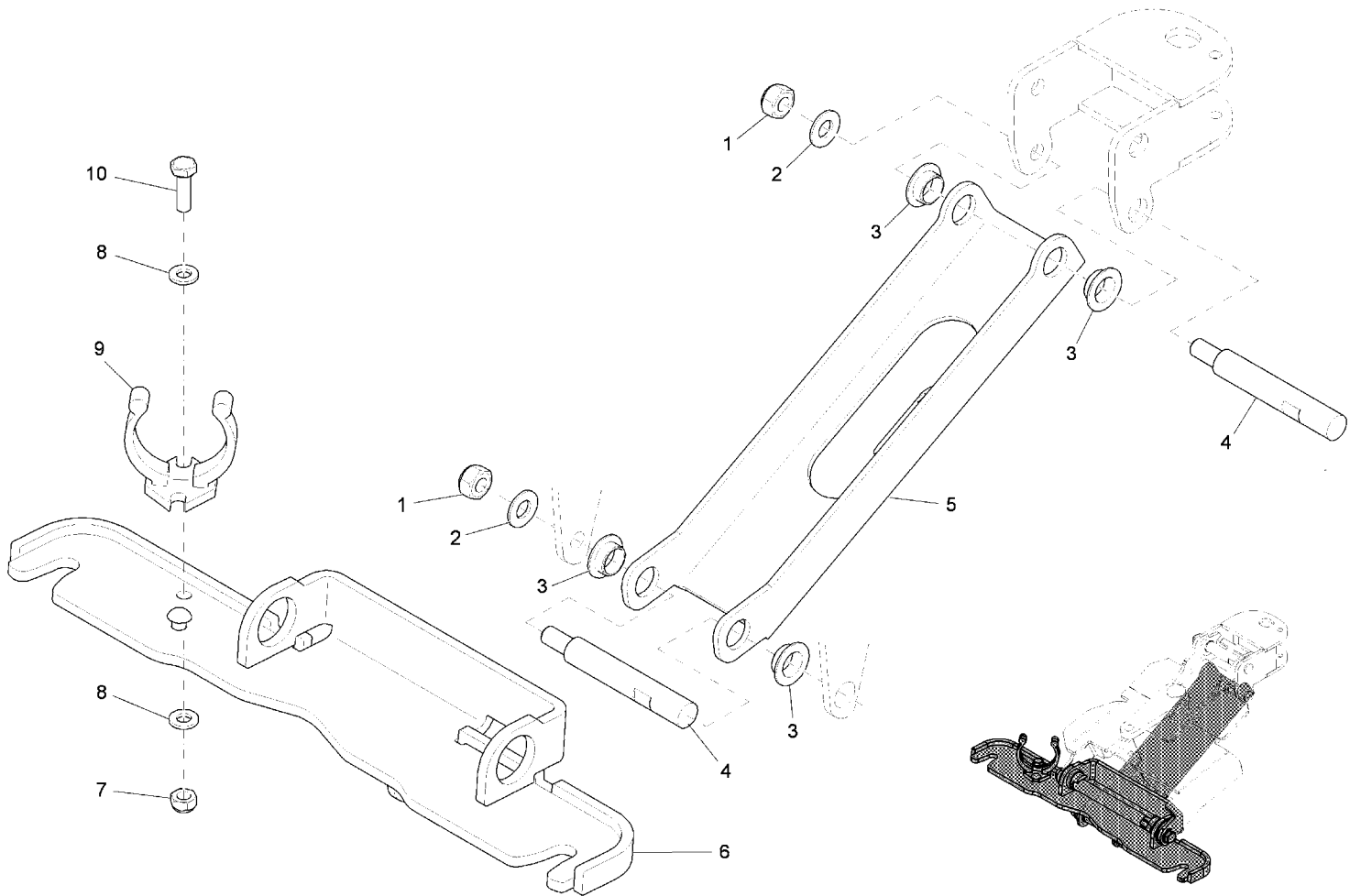
Squeegee connection (from appr. 15. Apr. 2008) part 1 (03008100BT10)



Squeegee connection (from appr. 15. Apr. 2008) part 1 (03008100BT10)

Item	Part number	Description	Qty.	Remarks
1	01130940	Cup head square neck bolt	1	
2	01170040	Sheet metal	1	
3	01077510	Slide bearing bush	2	
4	01171550	Bushing	1	
5	01171330	Slide bearing bush	2	
6	01171360	Shaft	1	
7	00101550	Washer	3	
8	01171290	Round part	1	
9	01171540	Threaded bolt	1	
10	01171300	Sheet metal	1	
11	00042900	Washer	1	
12	00101540	Hexagon nut	2	
13	01071740	Hex.bolt	2	
14	01130470	Slide bearing bush	2	
15	00161240	Edge protection	60mm	
16	01171370	Excentric	2	

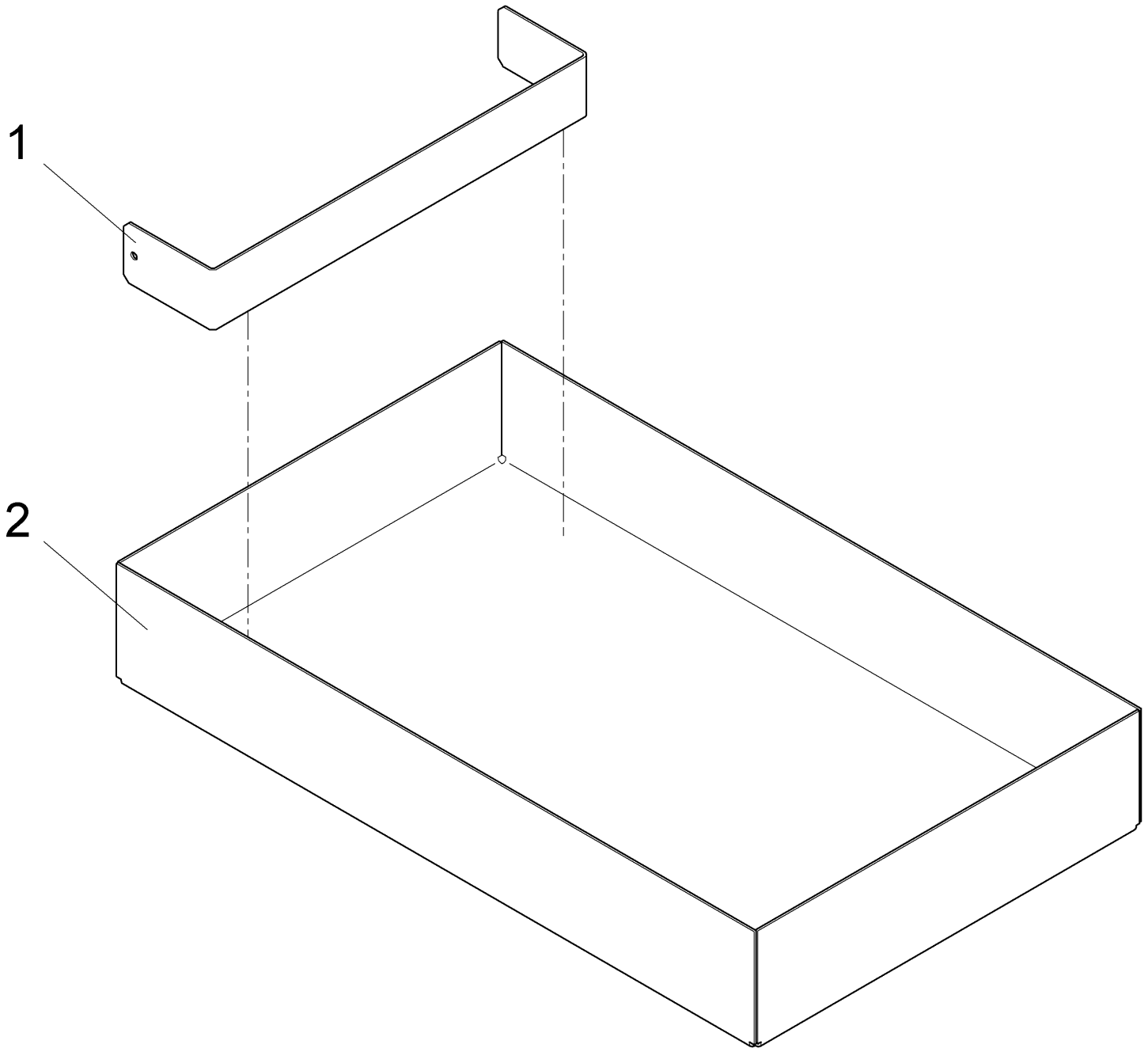
Squeegee connection (from appr. 15. Apr. 2008) part 2 (03008100BT20)



Squeegee connection (from appr. 15. Apr. 2008) part 2 (03008100BT20)

Item	Part number	Description	Qty.	Remarks
1	00101540	Hexagon nut	2	
2	00101550	Washer	2	
3	01171330	Slide bearing bush	2	
4	01171540	Threaded bolt	3	
5	01171280	Draft link	1	
6	01171310	Sheet metal	1	
7	00051520	Hexagon nut	1	
8	00053730	Washer	2	
9	01078120	Hose support	1	
10	00053020	Hexagon screw	1	

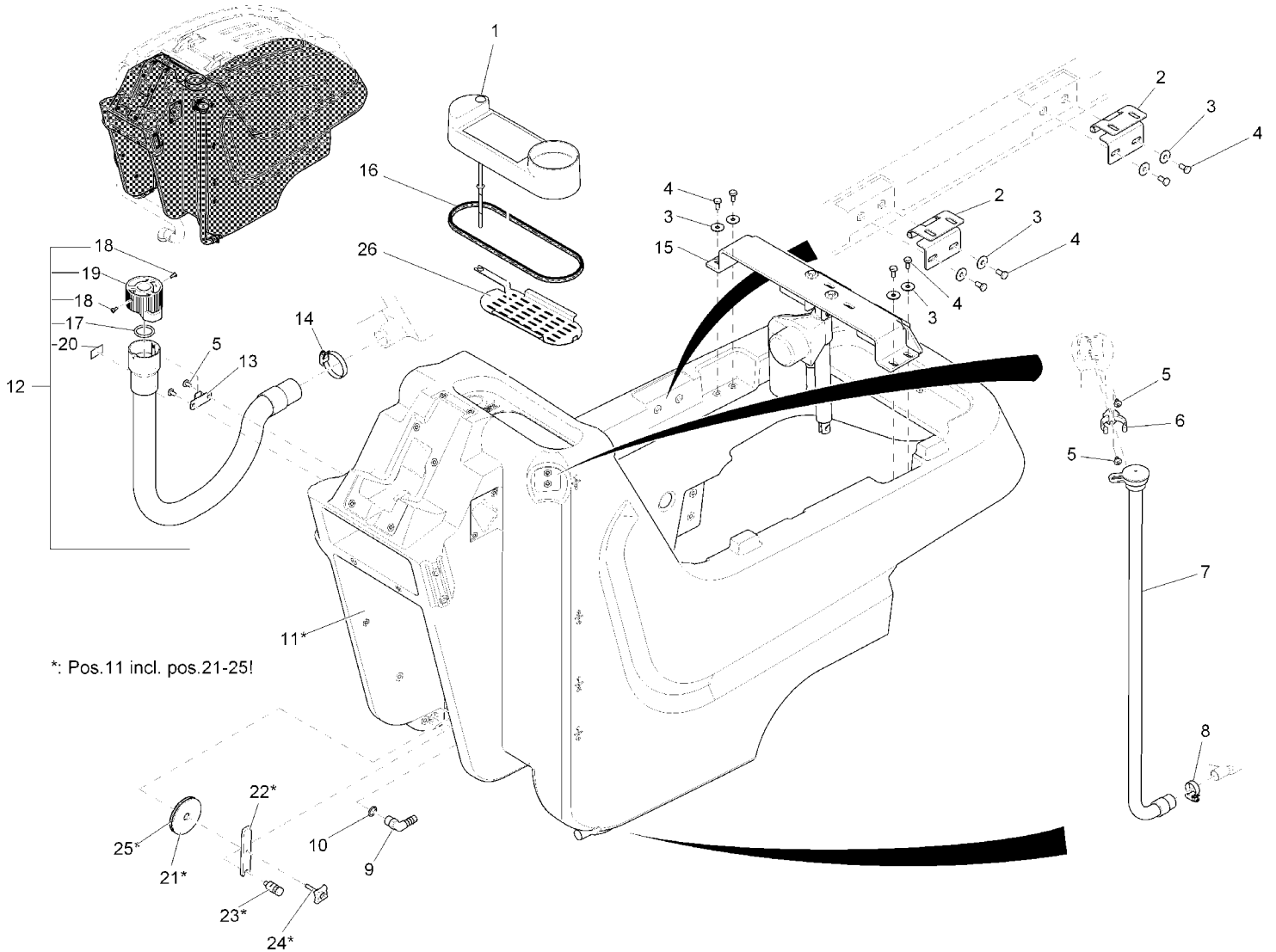
Battery tray (97099956)



Battery tray (97099956)

Item	Part number	Description	Qty.	Remarks
1	01170760	Sheet metal	1	
2	03008190	Battery tray	1	

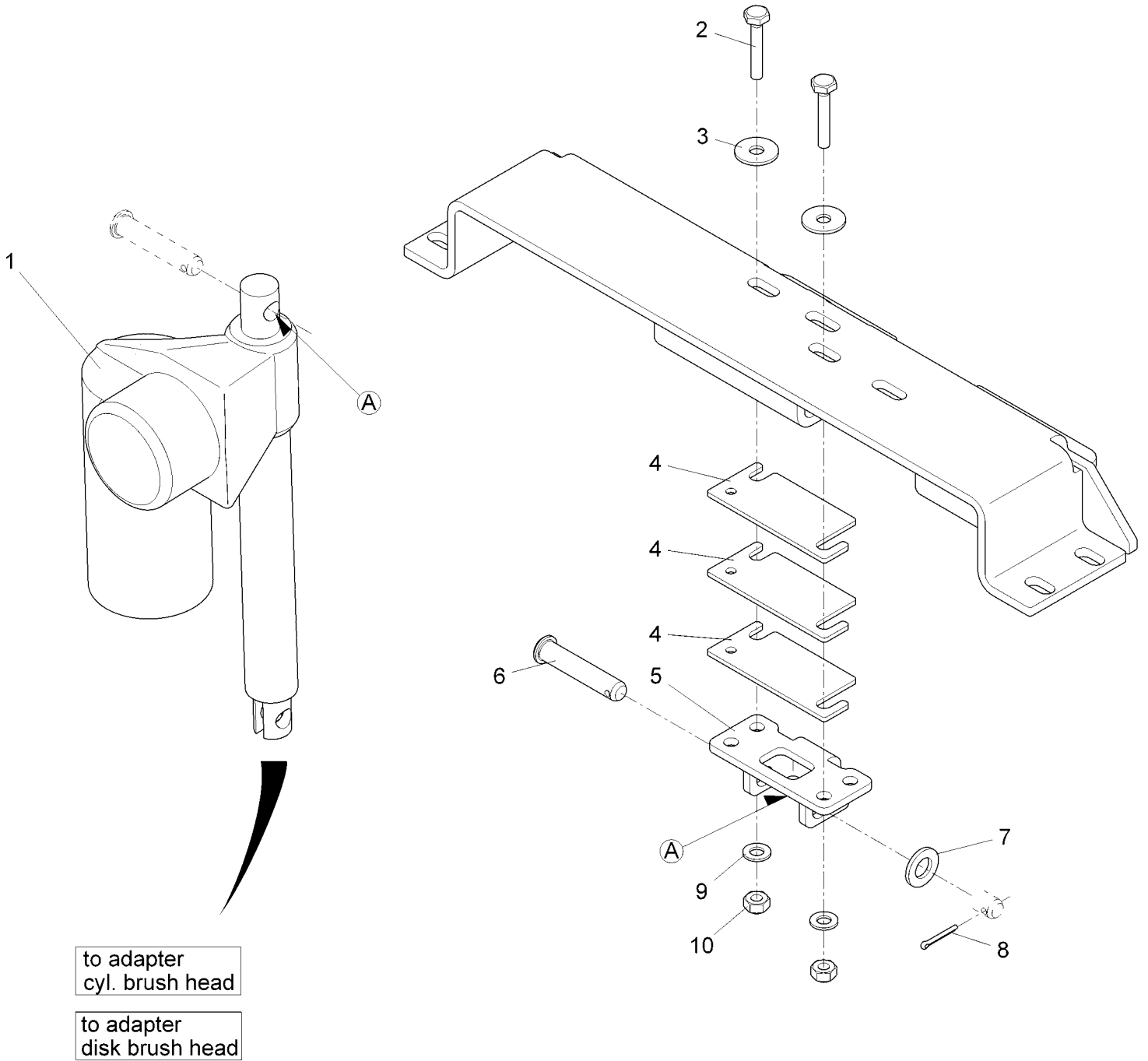
Hopper cpl. part1 - Lifting cyl. brush hd./disk brush hd. (97111819-1-7062-40)



Hopper cpl. part1 - Lifting cyl. brush hd./disk brush hd. (97111819-1-7062-40)

Item	Part number	Description	Qty.	Remarks
1	01078100	Fresh water cap	1	
2	01078110	Hinge	2	
3	00047990	Disk wheel	4	
4	00053080	Hexagon screw	8	
5	01072520	Lens flange screw	4	
6	01078120	Hose support	1	
7	01170530	Hose	1	
8	01161690	Clamp	1	
9	00020020	Angle socket	1	
10	00057720	O-ring oil resistant	1	
11	01170360	Fresh water tank	1	Attention: with ordering of hopper at the first time please order pos.21-25, tool
12	01077960	Foul water hose	1	
13	01077860	Hook	1	
14	00751160	Hose clamp	1	
15	97100945	Lifting cylindrical brush head / disk brush head	Page 33	
16	00721090	Edge protection	710mm	
17	01079300	O-Ring	1	
18	00906100	Fillister-head screw	2	
19	00906110	Cover	1	
20	01170060	Decal FOUL WATER	1	
21	01178730	Cover	1	
22	01178760	Bracket	1	
23	01178750	Screw	1	
24	01178770	Star handle screw	1	
25	01178740	Gasket	1	
26	01177520	Strainer	1	

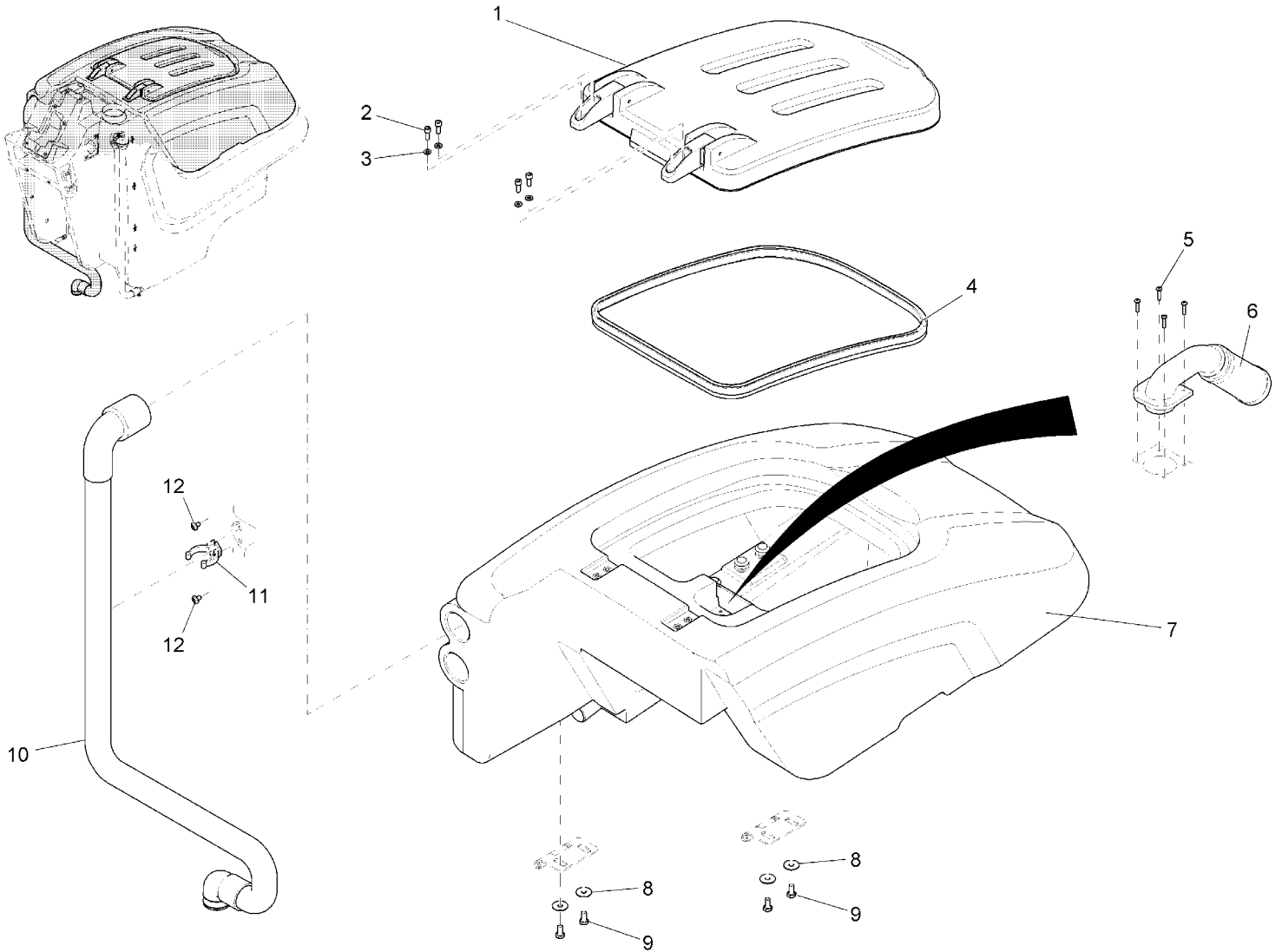
Lifting cylindrical brush head / disk brush head (97100945)



Lifting cylindrical brush head / disk brush head (97100945)

Item	Part number	Description	Qty.	Remarks
1	01170430	Regulating motor	1	
2	00133700	Hexagon screw	2	
3	00042900	Washer	6	
4	01170710	Distance plate	3	
5	01170720	Retainer	1	
6	00872290	Bolt	1	
7	00053770	Washer	1	
8	00553580	Cotter pin	1	
9	00053750	Washer	2	
10	00051510	Hexagon nut	2	

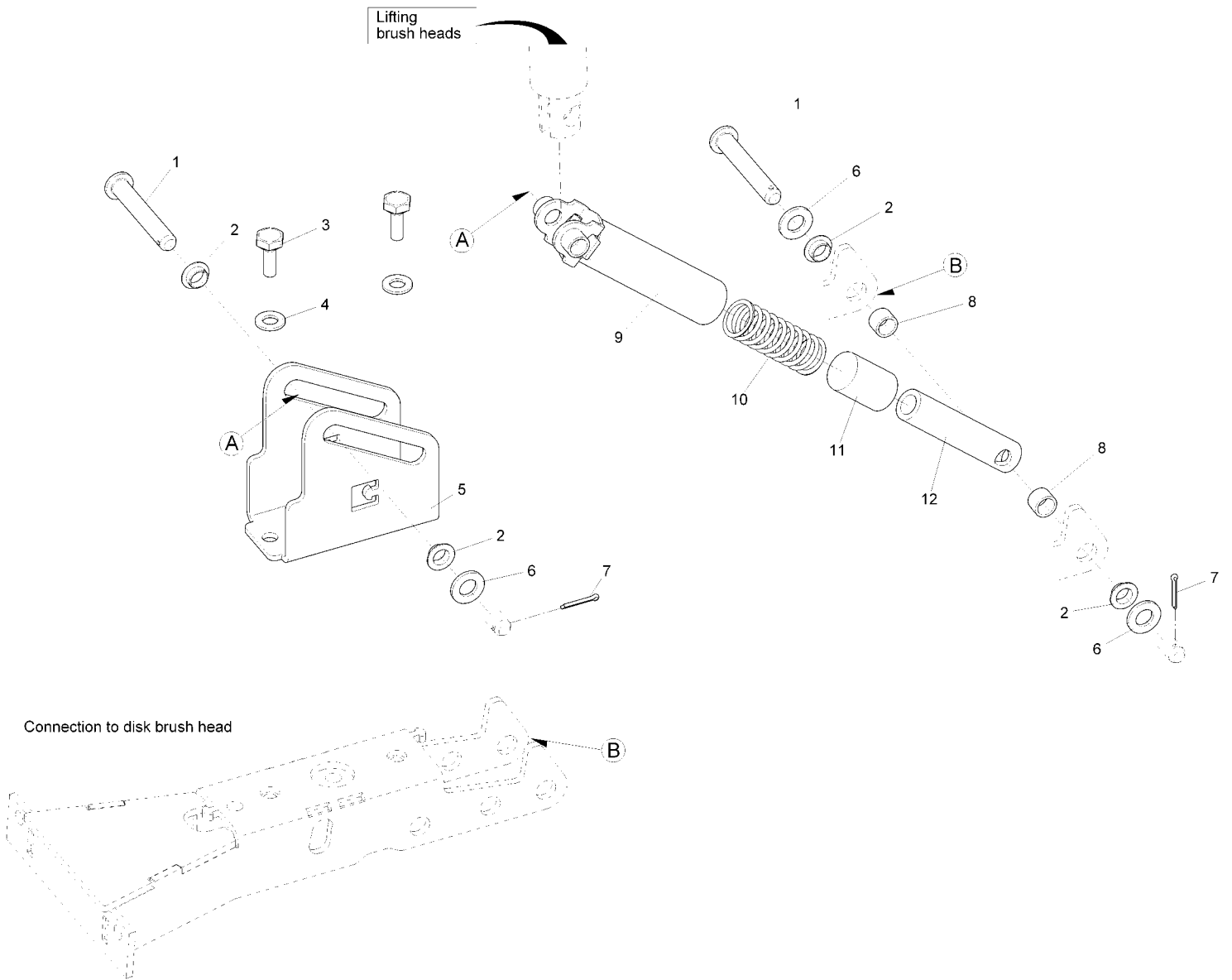
Hopper cpl. part2 (97111819-2)



Hopper cpl. part2 (97111819-2)

Item	Part number	Description	Qty.	Remarks
1	01077990	Cover	1	
2	00136910	Cylinder head screw	4	
3	00053730	Washer	4	
4	01071770	Sealing profile	1	
5	01078160	Screw	4	
6	01078250	Filter unit	1	
7	01170370	Dirt container	1	
8	00047990	Disk wheel	4	
9	00053080	Hexagon screw	4	
10	01077920	Suction hose	1	
11	01078120	Hose support	1	
12	01072520	Lens flange screw	2	

Adapter disk brush head lifting (97093967)



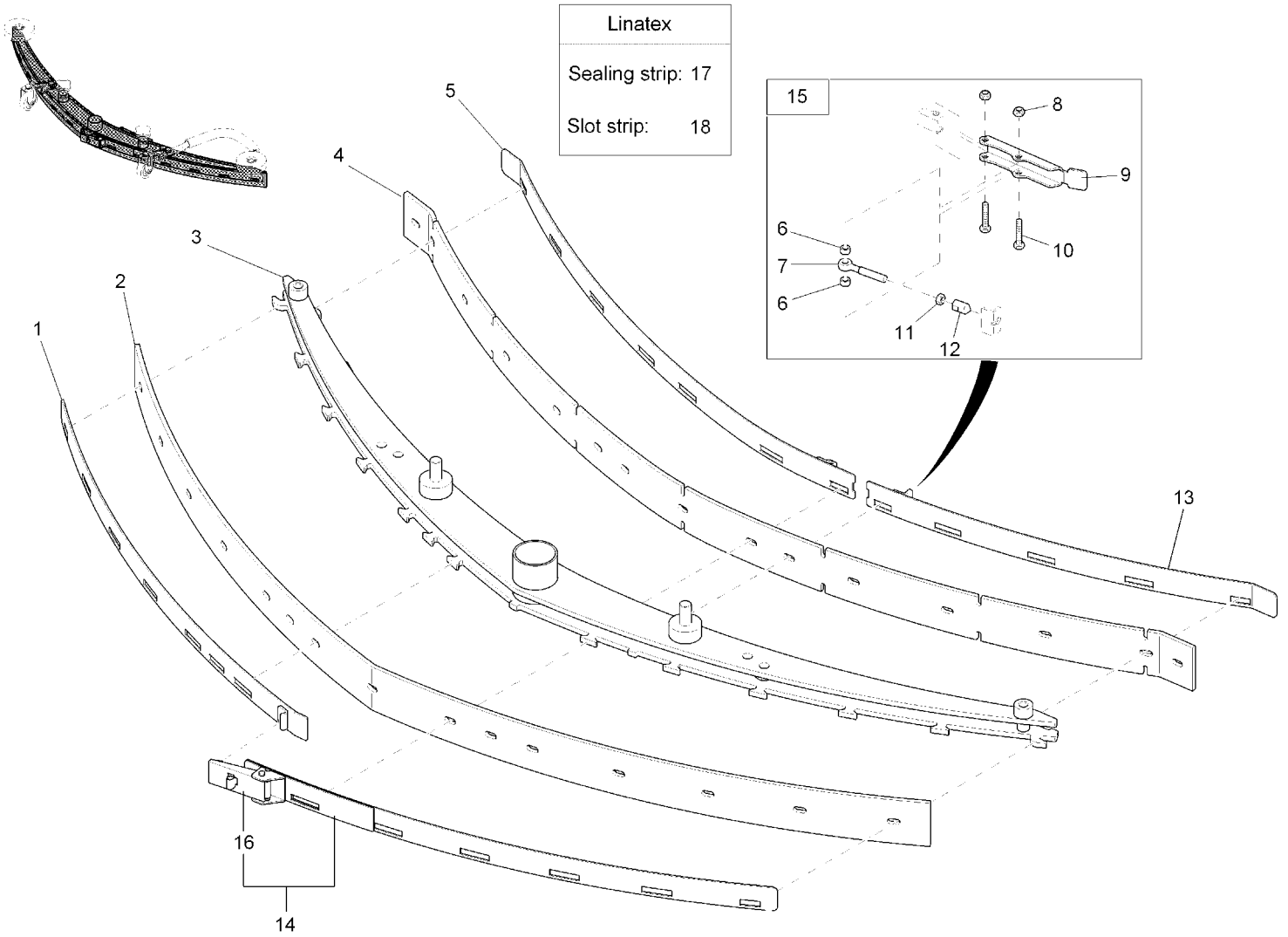
Adapter disk brush head lifting (97093967)

Item	Part number	Description	Qty.	Remarks
1	01078040	Bolt	2	
2	01077510	Slide bearing bush	4	
3	00053310	Hexagon screw	2	
4	00053760	Washer	2	
5	01170420	Retainer	1	
6	00053770	Washer	3	
7	00553580	Cotter pin	2	
8	01170480	Pipe	2	
9	01170550	Protection pipe	1	
10	01170400	Compression spring	1	
11	01170250	Wear bushing	1	
12	01170230	Piston	1	

Squeegee 950mm (97094502) 1900-01-01 --> 2009-09-30

Assembly	Description	Page
97094502-1	Squeegee 95cm part 1	40
97094502-2	Squeegee 95cm part 2	42

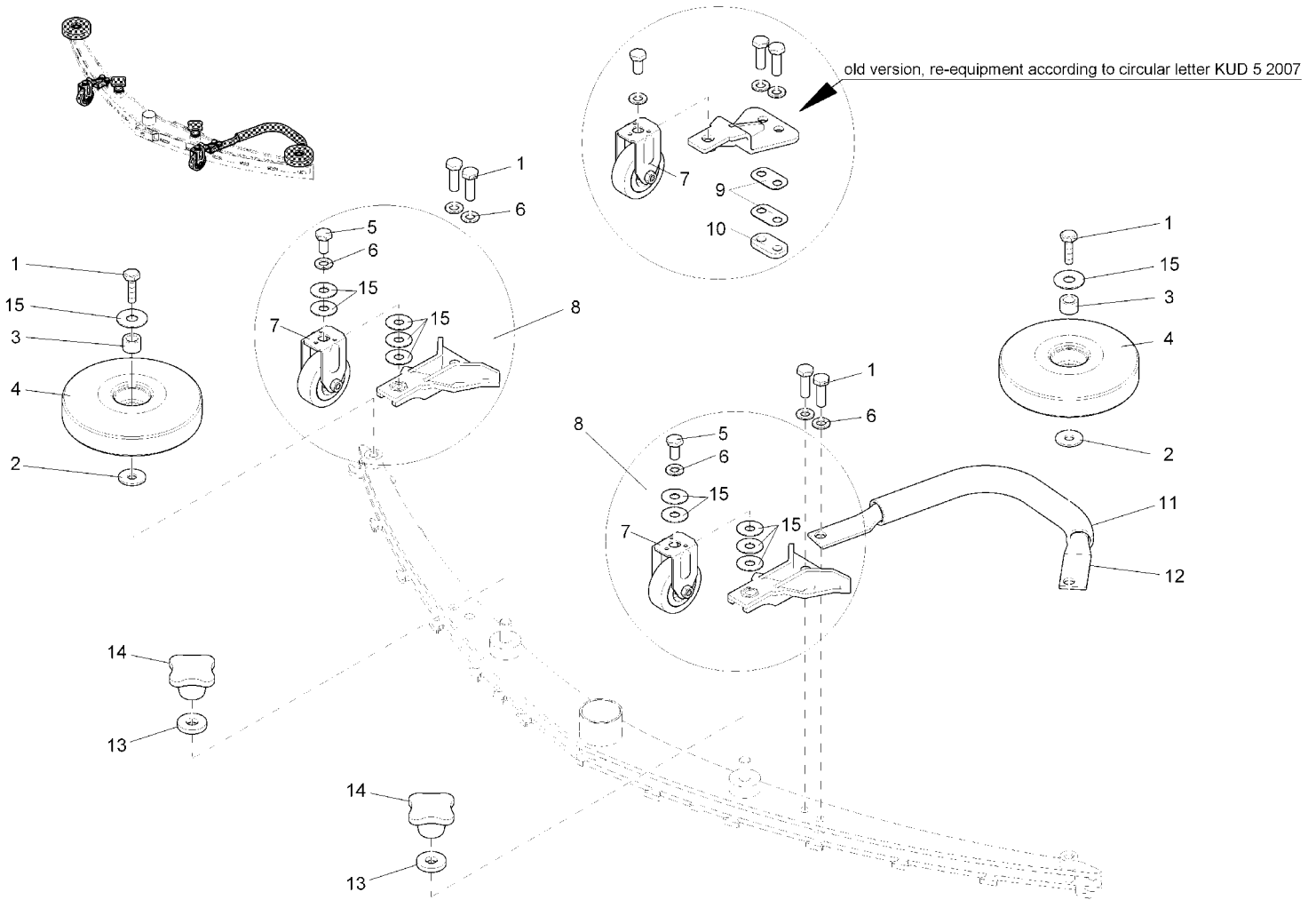
Squeegee 95cm part 1 (97094502-1)



Squeegee 95cm part 1 (97094502-1) 2008-03-01 --> 2009-09-30

Item	Part number	Description	Qty.	Remarks
1	01077660	Rear tension band	1	
2	01077480	Sealing strip	1	
3	01077940	Suction unit	1	
4	01077470	Slot strip	1	
5	01077650	Front tension band	1	
6	01077590	Bushing	2	
7	01077500	Eye bolt	1	
8	01017660	Hex. Nut	2	
9	01077580	Lever	1	
10	01079890	Hexagon screw	2	
11	00902250	Hex. Nut	1	
12	01078090	Pressure piece	1	
13	01077640	Front tension band	1	
14	01077670	Rear tension band	1	
15	00009010	Lock suction unit	1	
16	01171810	Lock	1	
17	01179180	Sealing strip Linatex	1	for 95cm squeegee
18	01179170	Slot strip Linatex	1	for 95cm squeegee

Squeegee 95cm part 2 (97094502-2)



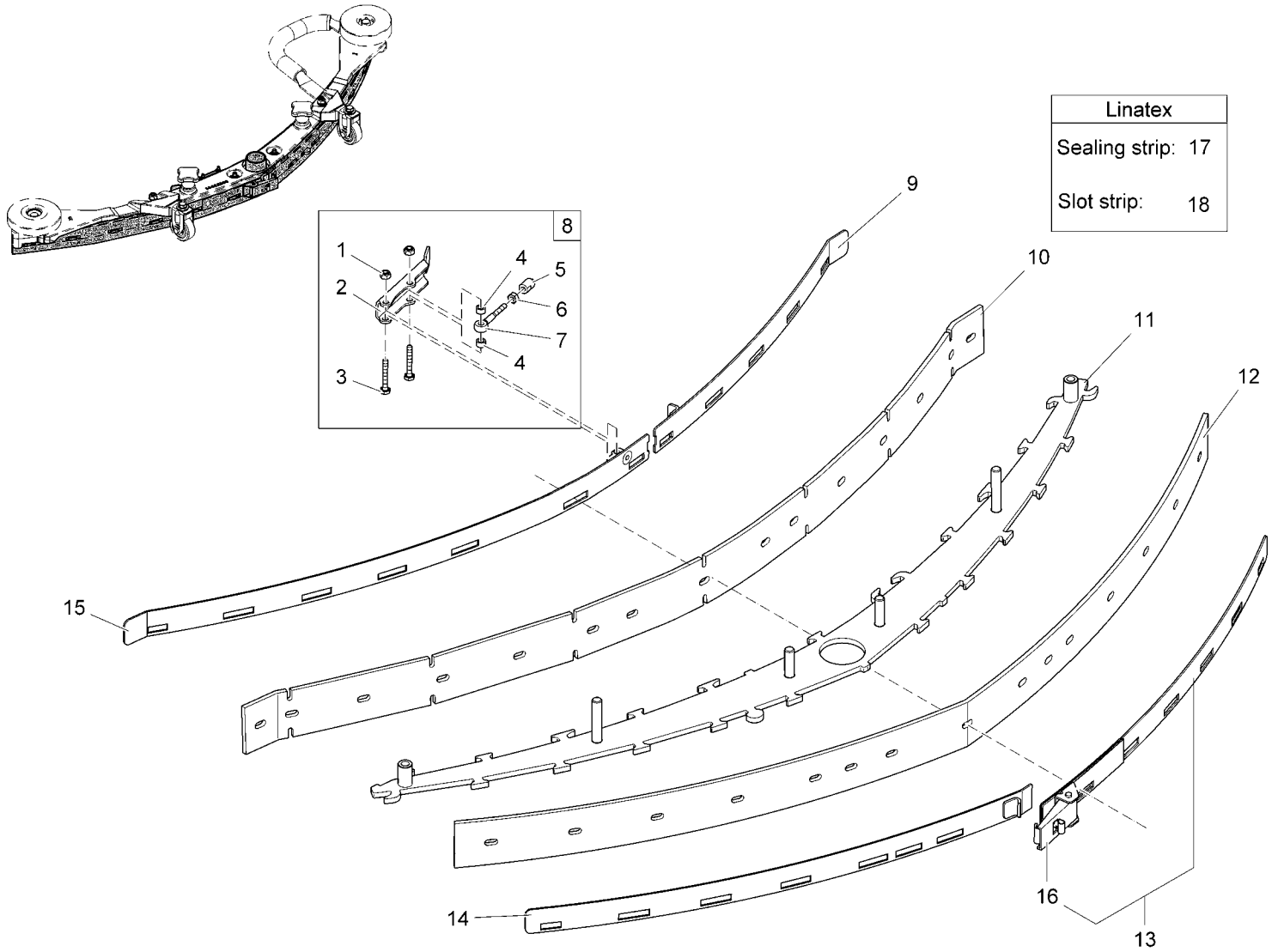
Squeegee 95cm part 2 (97094502-2) 2008-03-01 --> 2009-09-30

Item	Part number	Description	Qty.	Remarks
1	01059530	Hexagon screw	6	
2	00902280	Washer	2	
3	00879030	Pipe	2	
4	01171790	Deflector roller	2	
5	01071740	Hex.bolt	2	
6	00101550	Washer	4	
7	01077810	Fixed castor	2	
8	01079070	Fixed castor	2	
9	01077610	Distance piece	2	
10	01077600	Distance piece	1	
11	00911270	Hose	250mm	
12	01077620	Bracket	1	
13	00972060	Disk wheel	2	
14	01179360	Star handle yellow	2	
15	01079080	Spacer	10	

Squeegee 950mm, cpl. (Available! No.: 01178270) (01178270) 2009-10-01 -->

Assembly	Description	Page
01178270-1	Squeegee 950mm part 1	45
01178270-2	Squeegee 950mm part 2	47

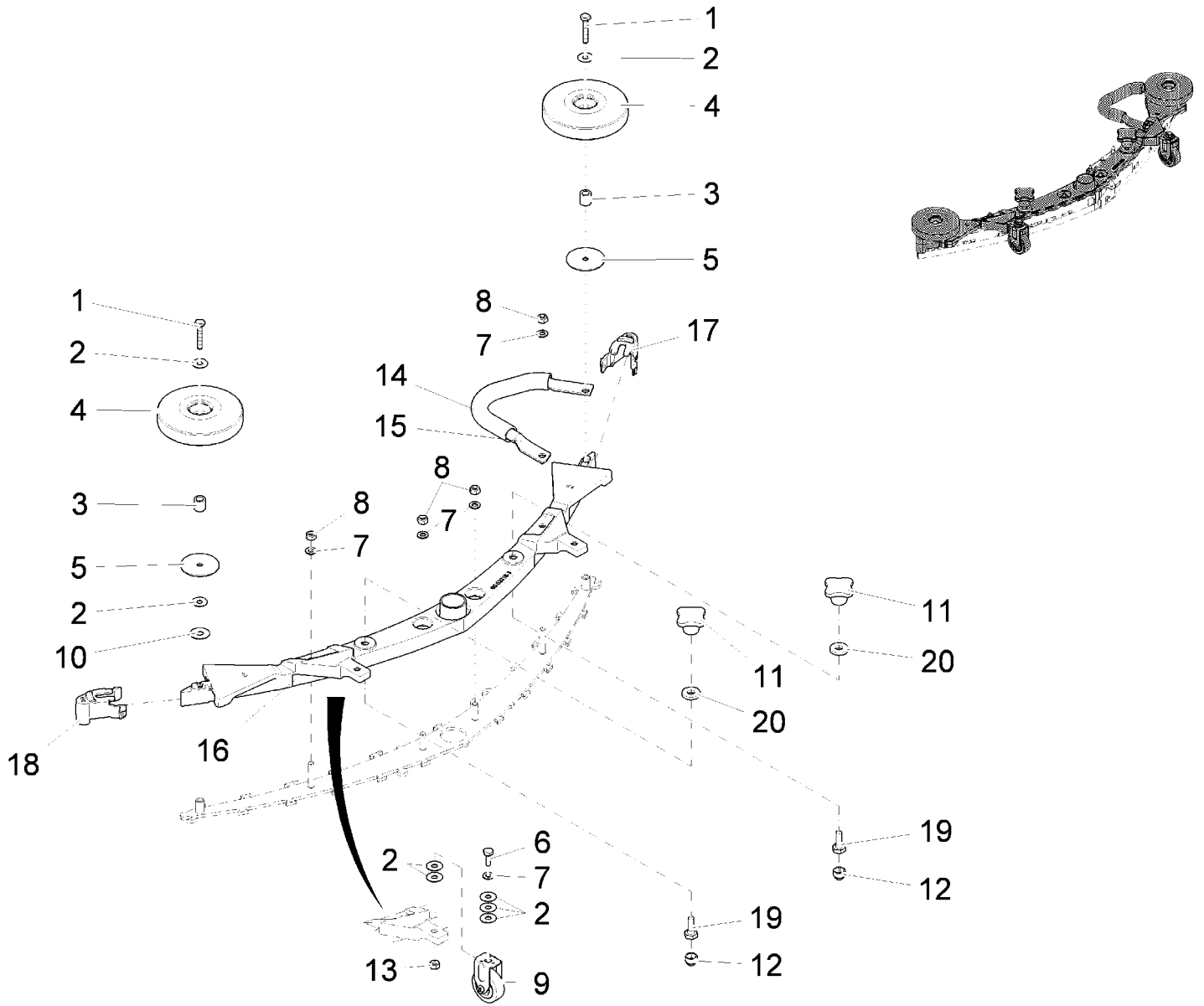
Squeegee 950mm part 1 (01178270-1)



Squeegee 950mm part 1 (01178270-1)

Item	Part number	Description	Qty.	Remarks
1	01017660	Hex. Nut	2	
2	01077580	Lever	1	
3	01079890	Hexagon screw	2	
4	01077590	Bushing	2	
5	01078090	Pressure piece	1	
6	00902250	Hex. Nut	1	
7	01077500	Eye bolt	1	
8	00009010	Lock suction unit	1	
9	01077640	Front tension band	1	
10	01077470	Slot strip	1	
11	01178350	Base plate	1	
12	01077480	Sealing strip	1	
13	01077670	Rear tension band	1	
14	01077660	Rear tension band	1	
15	01077650	Front tension band	1	
16	01171810	Lock	1	
17	01179180	Sealing strip Linatex	1	for 95cm squeegee
18	01179170	Slot strip Linatex	1	for 95cm squeegee

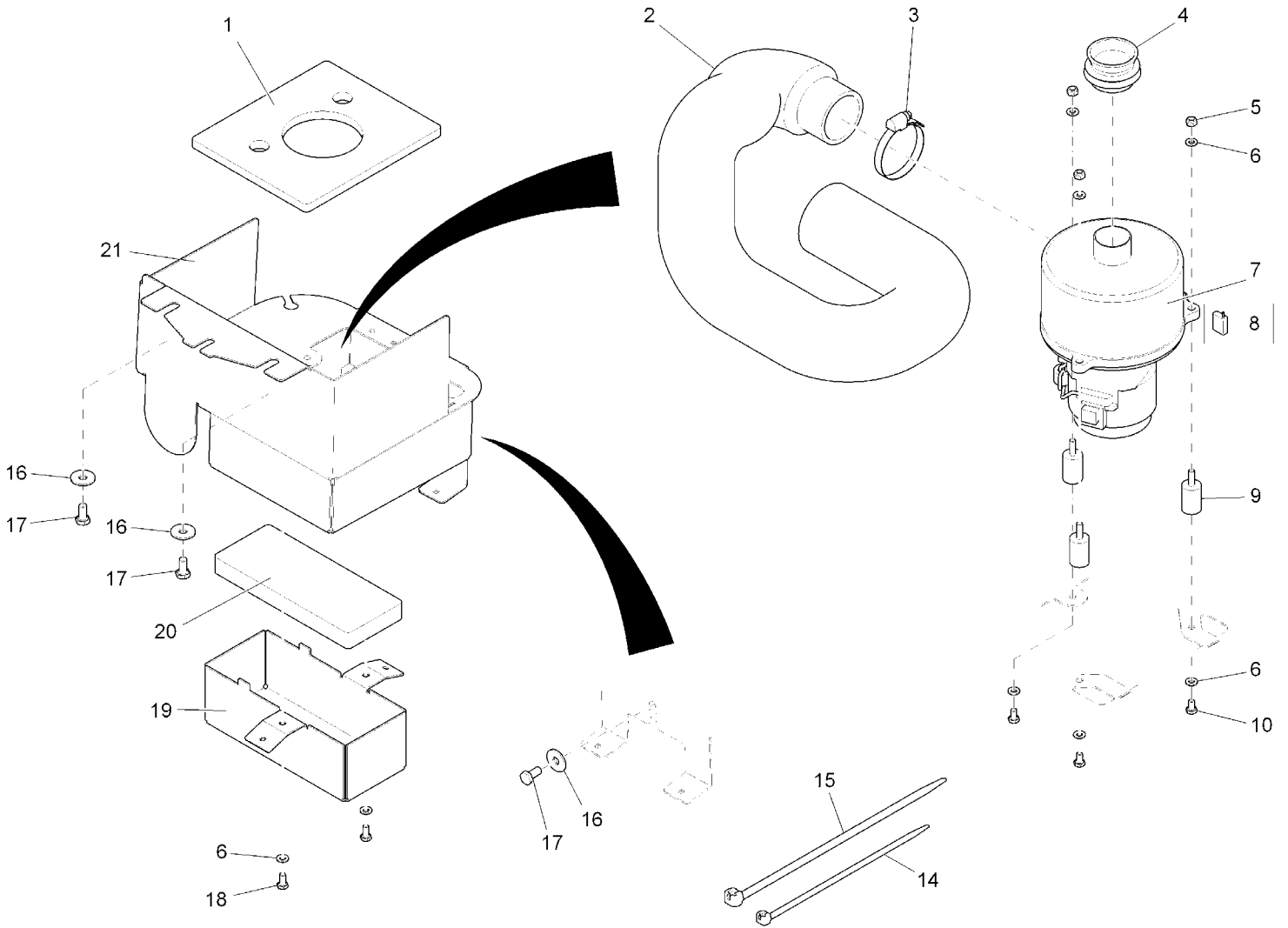
Squeegee 950mm part 2 (01178270-2)



Squeegee 950mm part 2 (01178270-2)

Item	Part number	Description	Qty.	Remarks
1	00059460	Hex.bolt	2	
2	01079080	Spacer	13	
3	00879030	Pipe	2	
4	01171790	Deflector roller	2	
5	01178290	Conical spring washer	2	
6	01162510	Hexagon screw	2	
7	00101550	Washer	6	
8	00101540	Hexagon nut	4	
9	01077810	Fixed castor	2	
10	00902280	Washer	1	
11	01179360	Star handle yellow	2	
12	00131610	Lens cap	2	
13	00971400	Hexagon nut	2	
14	00911270	Hose	260mm	
15	01178280	Bracket	1	
16	01178340	Suction unit body 950mm	1	
17	01178310	Protection cap R.H.	1	
18	01178320	Protection cap L.H.	1	
19	01019850	Hexagon screw	2	
20	00972060	Disk wheel	2	

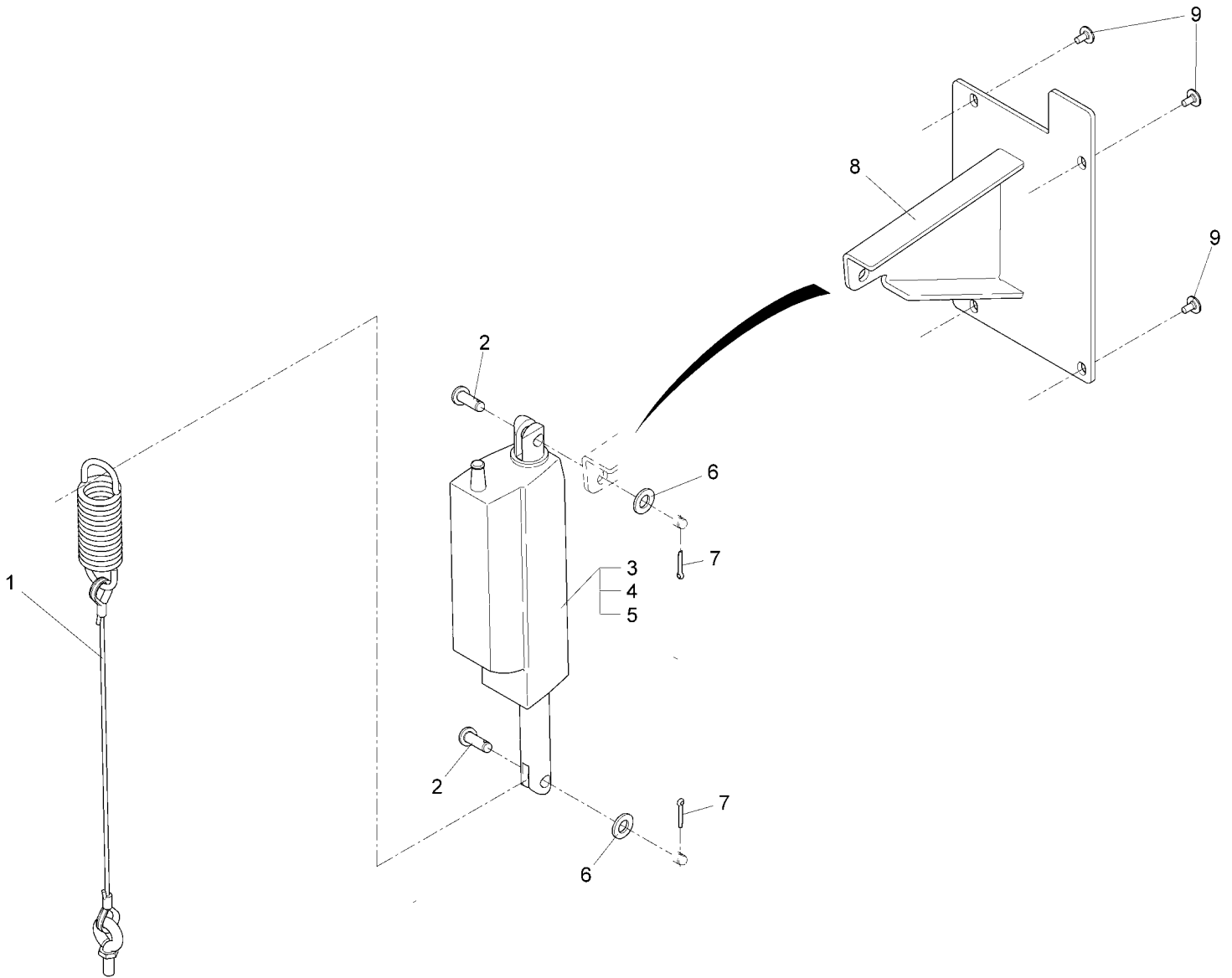
Suction (97092811)



Suction (97092811)

Item	Part number	Description	Qty.	Remarks
1	01079740	Insulation mat	1	
2	01077900	Hose	1	
3	00732130	Hose clamp	1	
4	01078180	Connection	1	
5	00051520	Hexagon nut	3	
6	00053730	Washer	8	
7	01079350	Suction motor	1	
8	00048840	Carbon brush	4	
9	01078190	Buffer	3	
10	00554850	Hex.bolt	3	
14	00121150	Cable tie	1	
15	00967760	Cable tie	4	
16	00042900	Washer	3	
17	00053080	Hexagon screw	3	
18	00104500	Hexagon screw	2	
19	01079750	Cover	1	
20	01079730	Insulation mat	1	
21	03007810	Sheet metal	1	

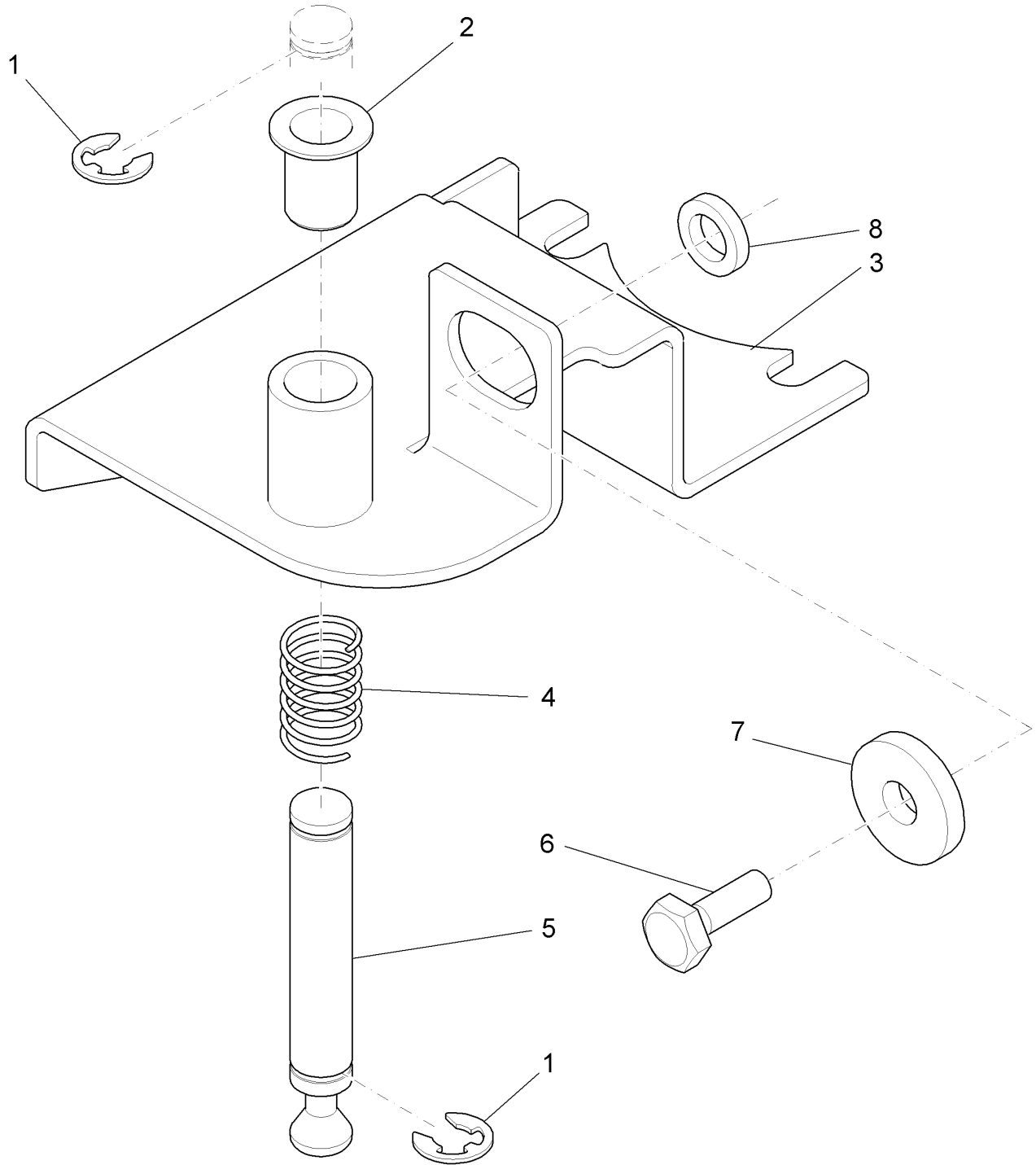
Squeegee operation (97099600)



Squeegee operation (97099600)

Item	Part number	Description	Qty.	Remarks
1	01170620	Linkage	1	
2	00539260	Bolt	2	
3	00712430	Lifting element	1	
4	00903190	Tab	2	
5	00903180	Plastic cover	1	
6	00053760	Washer	2	
7	00551410	Cotter pin	2	
8	01170610	Support plate	1	
9	01072520	Lens flange screw	4	

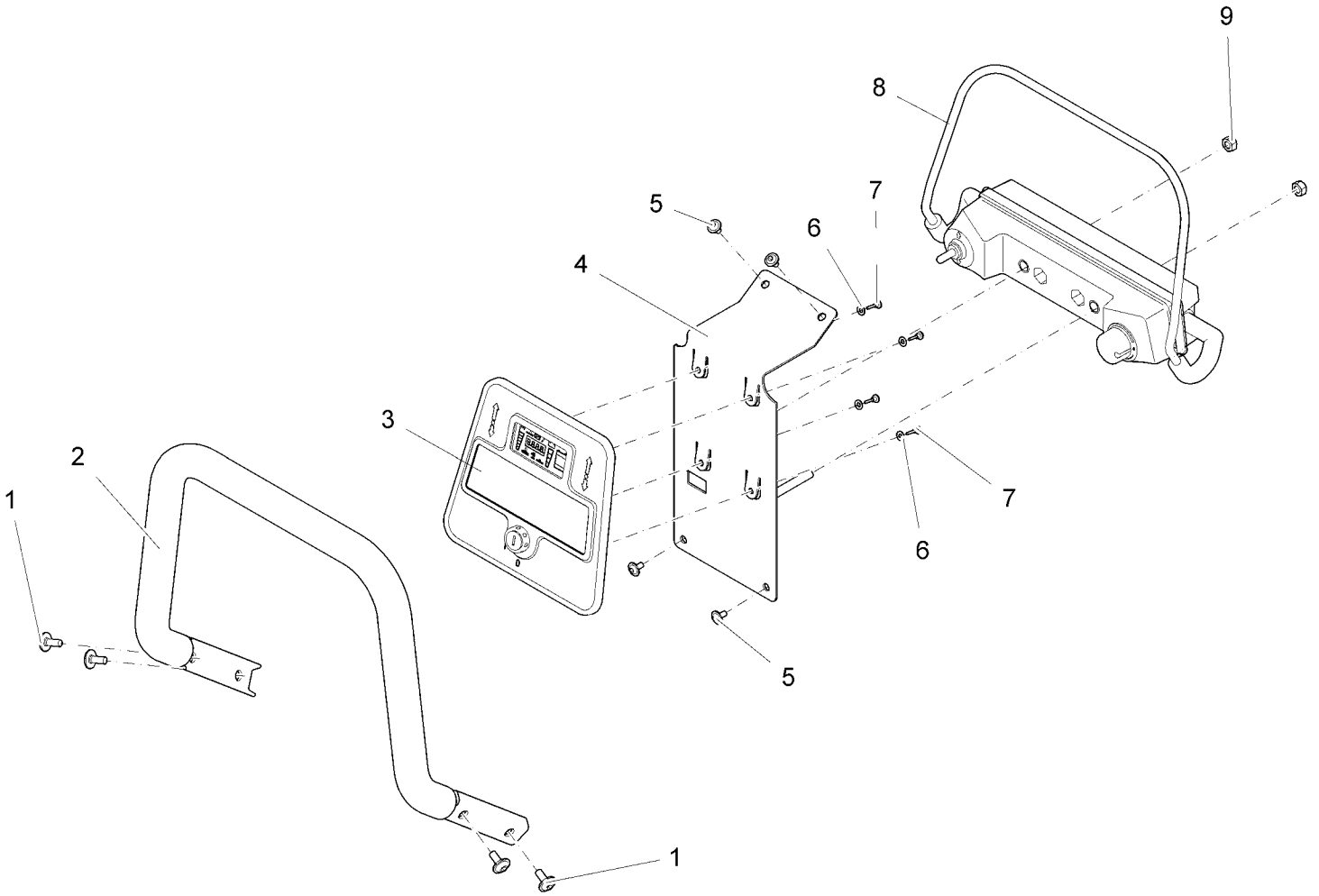
Squeegee lock (97099931)



Squeegee lock (97099931)

Item	Part number	Description	Qty.	Remarks
1	00046280	Thrust washer	2	
2	00041400	Plain bearing bush	1	
3	01170630	Folding plate	1	
4	01170280	Cyl.compression spring	1	
5	01170270	Pin	1	
6	00053090	Hexagon screw	1	
7	00047990	Disk wheel	1	
8	01079670	Spacer sleeve	1	

Operation handle, cpl. (97099998)

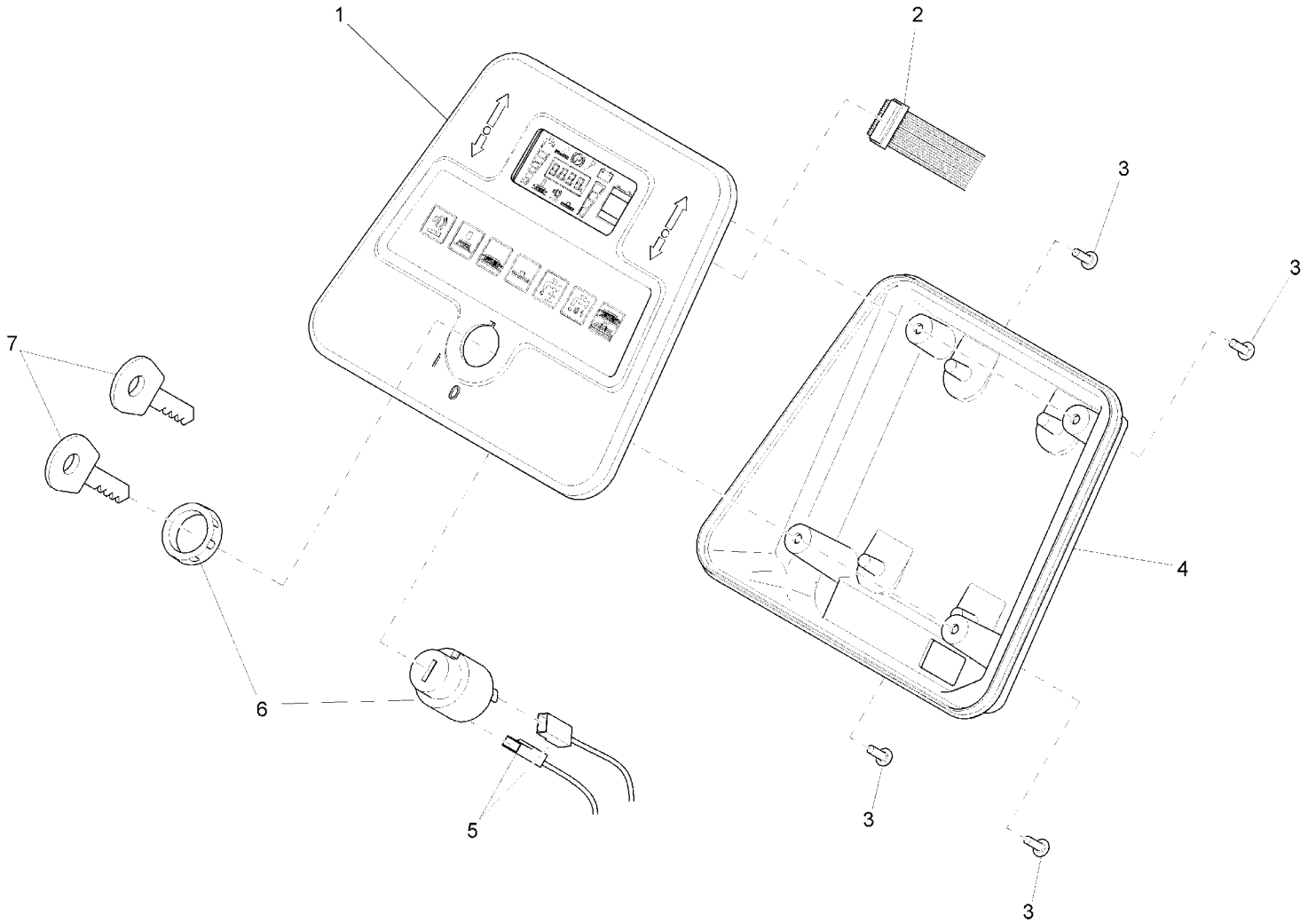




Operation handle, cpl. (97099998)

Item	Part number	Description	Qty.	Remarks
1	01171380	Lens flange screw	4	
2	01079760	Handle bar	1	
3	01273480	Console (Available! No.: 01273480)	Page	57
4	01079770	Sheet metal	1	
5	01072520	Lens flange screw	4	
6	00874720	Washer	4	
7	00961490	Self tapping screw	4	
8	01079950	Bail system	1	
9	00051510	Hexagon nut	2	

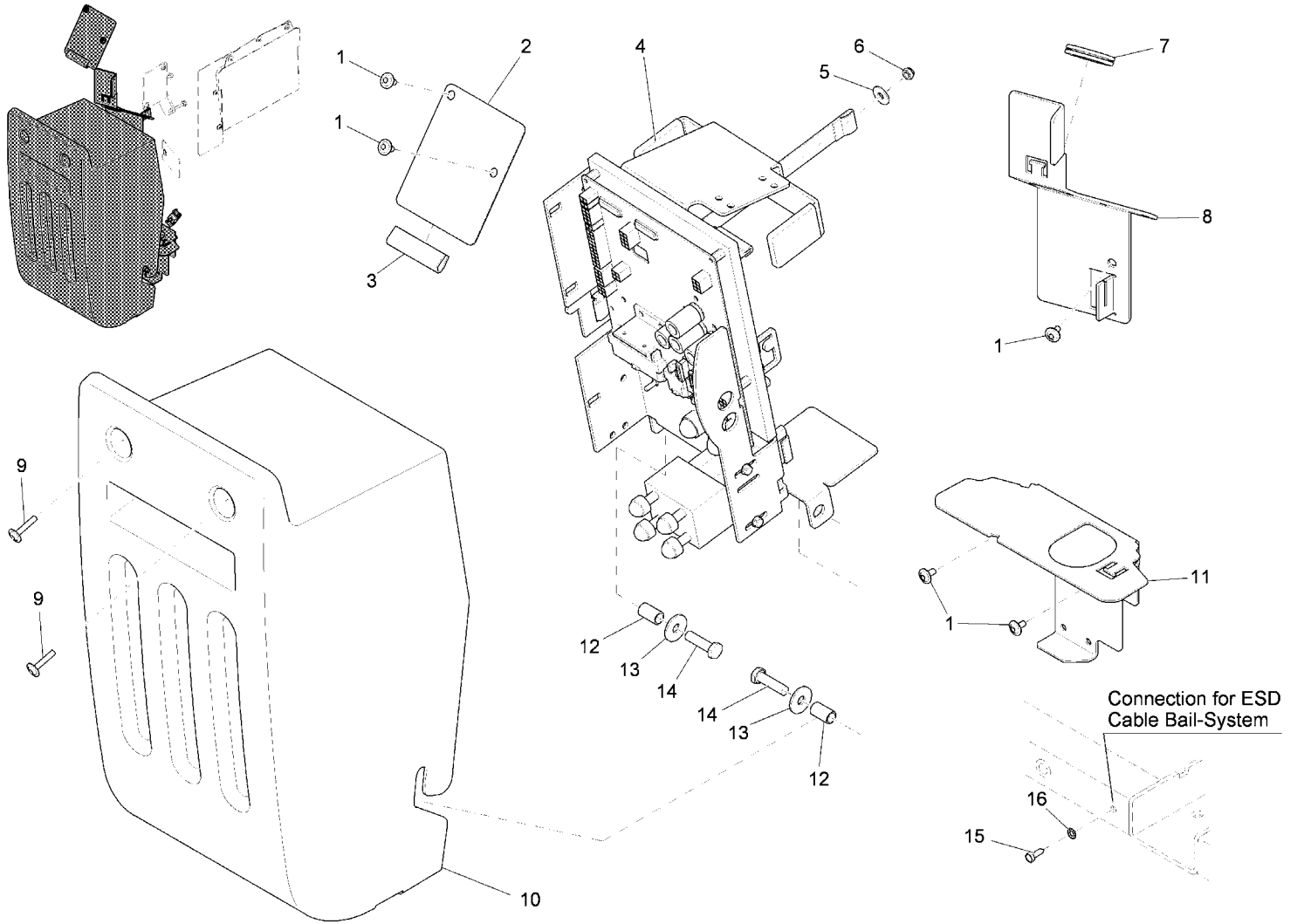
Console (Available! No.: 01273480) (01273480)



Console (Available! No.: 01273480) (01273480)

Item	Part number	Description	Qty.	Remarks
1	01079230	Console	1	
2	01078930	Ribbon cable	1	
3	01078860	Screw	4	
4	01078940	Console	1	
5	01078950	Cable key switch	1	
6	00021710	Key switch	1	
7	00745890	Set (2pc.) key	1	

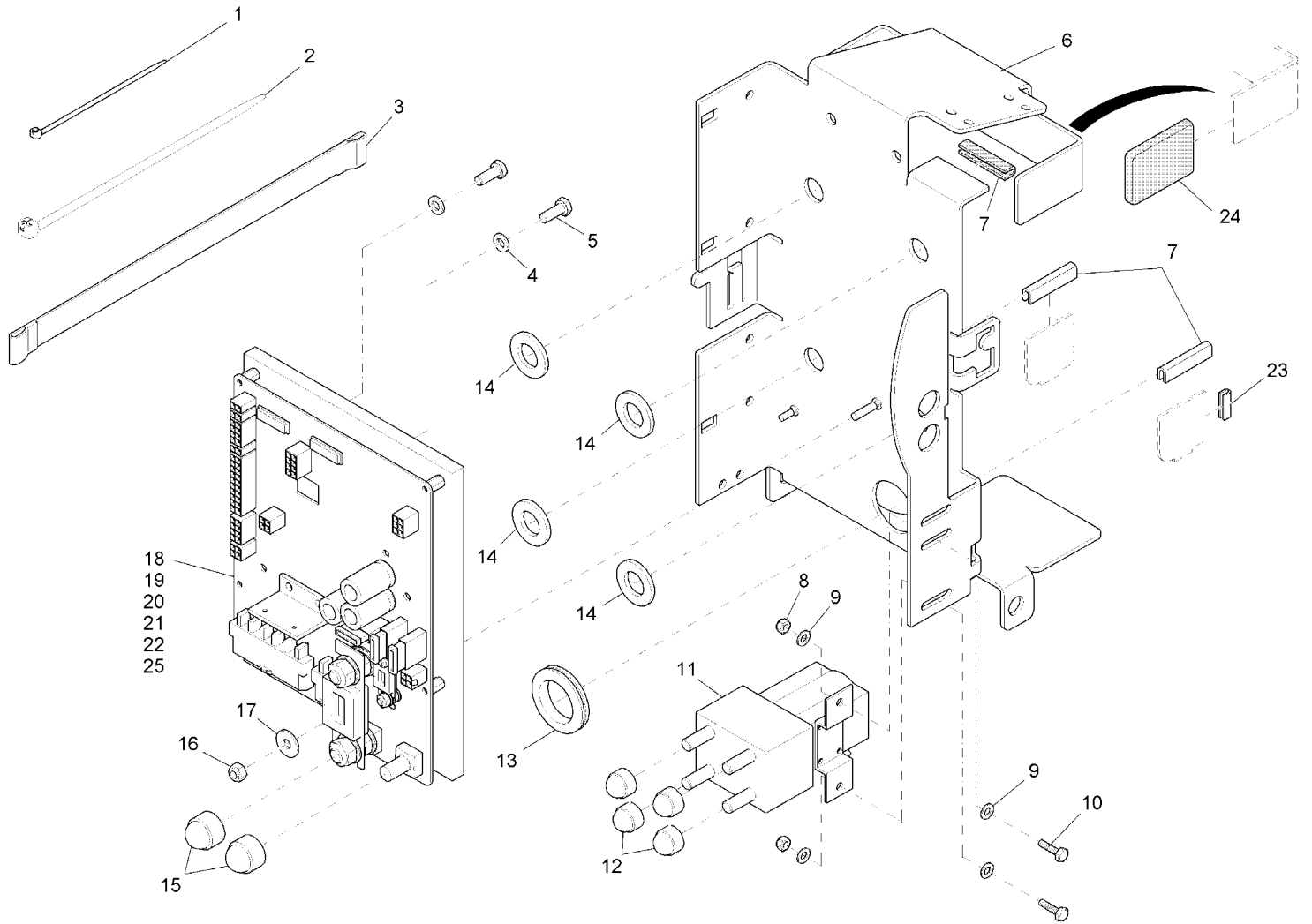
Electric part 1 (97099816-1)



Electric part 1 (97099816-1)

Item	Part number	Description	Qty.	Remarks
1	01072520	Lens flange screw	5	
2	01078570	Sheet metal	1	
3	00161240	Edge protection	60mm	
4	97099832	Retainer cpl.	Page	61
5	00153200	Washer	1	
6	00051520	Hexagon nut	1	
7	01079690	Bushing	1	
8	01078580	Sheet metal	1	
9	01174700	Lens flange screw	2	
10	01078270	Covering	1	
11	01078590	Clamping plate	1	
12	01078260	Bushing	2	
13	00042900	Washer	2	
14	00053110	Hexagon screw	2	
15	01073850	Tapping screw	1	
16	00857150	Lock washer	1	

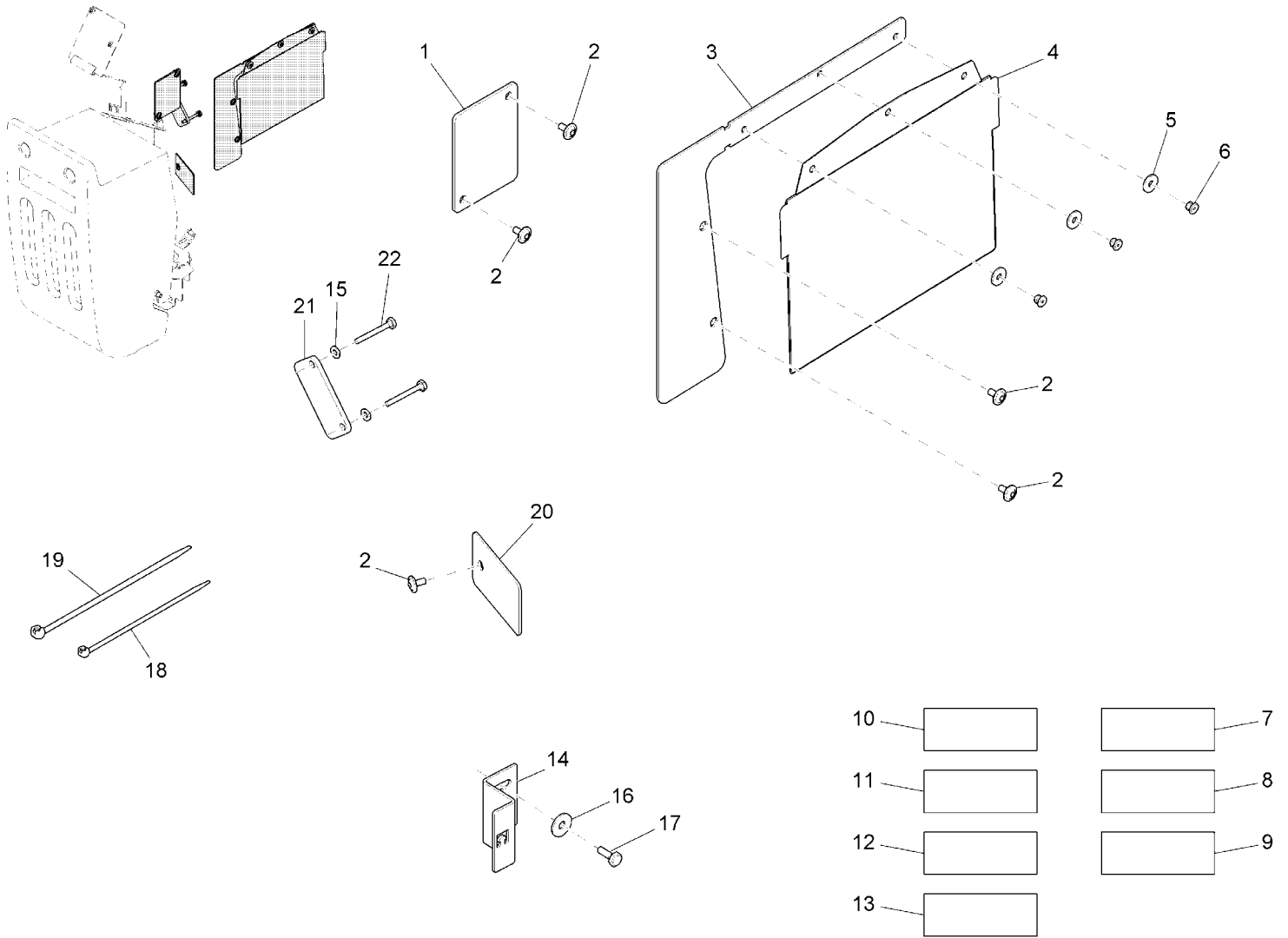
Retainer cpl. (97099832)



Retainer cpl. (97099832)

Item	Part number	Description	Qty.	Remarks
1	00967760	Cable tie	2	
2	00121150	Cable tie	10	
3	01077880	Webbing	1	
4	00053730	Washer	2	
5	00053010	Hex.bolt	2	
6	01078640	Retainer	1	
7	00721090	Edge protection	120mm	
8	00051340	Hexagon nut	2	
9	00053720	Washer	4	
10	00054410	Hex.bolt	2	
11	01170460	Contacto	1	
12	00131610	Lens cap	4	
13	01079690	Bushing	1	
14	01078240	Washer	4	
15	00747210	Lens cap	2	
16	00051520	Hexagon nut	1	
17	00135120	Washer	1	
18	01079220	Controller	1	
19	00059580	Fuse	1	
20	00902440	Fuse	1	
21	00733630	Fuse	1	
22	00972430	Fuse link	1	
23	00721090	Edge protection	30mm	
24	01074240	Cap	2	
25	00906120	Fuse	1	

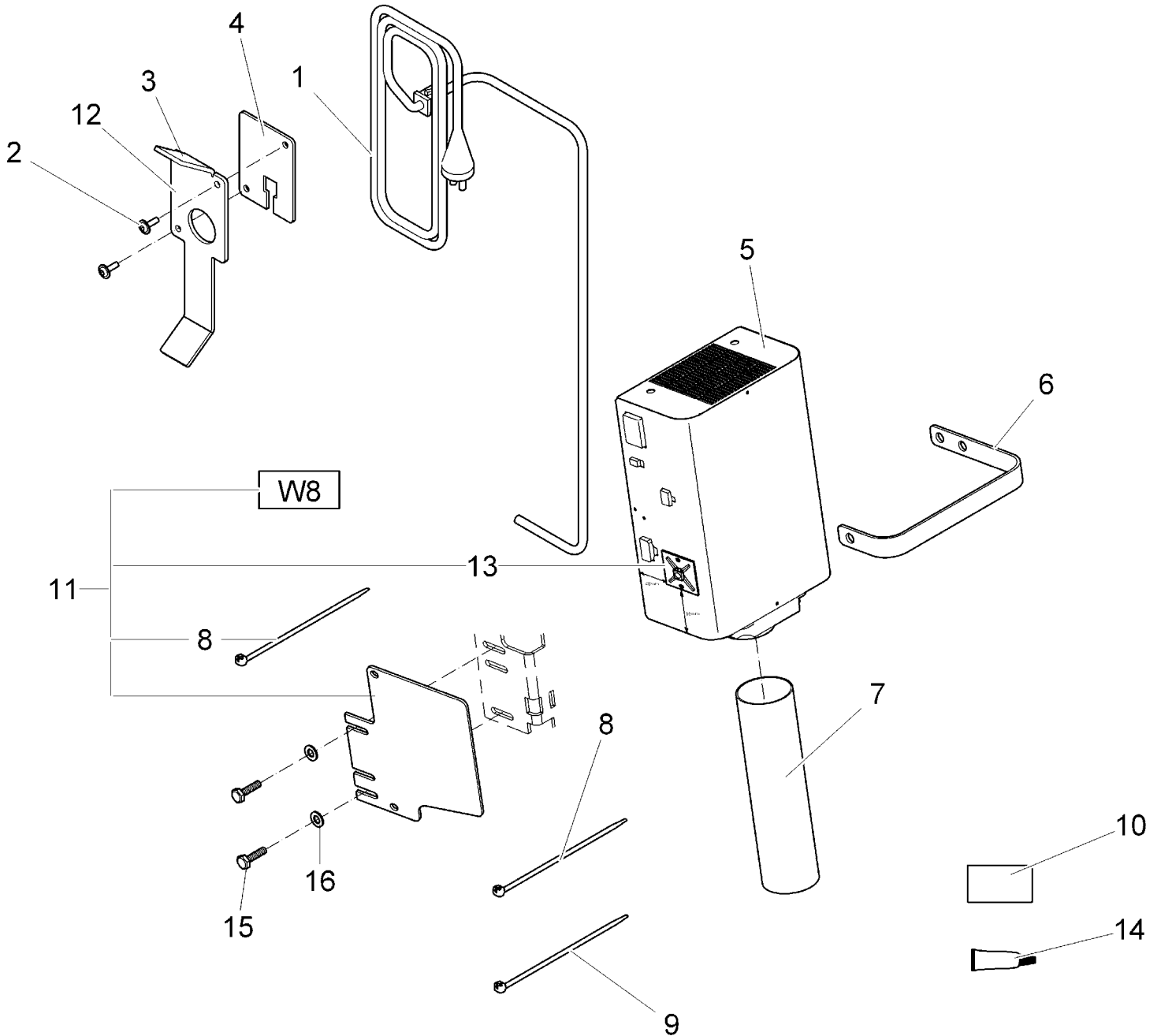
Electric part 2 (97099816-2)



Electric part 2 (97099816-2)

Item	Part number	Description	Qty.	Remarks
1	01078600	Covering	1	
2	01072520	Lens flange screw	7	
3	01078610	Sheet metal	1	
4	01078280	Bag	1	
5	00555520	Washer	3	
6	01078290	Blind rivet	3	
7	03008120	Wiring harness W1	1	
8	03008130	Wiring harness W2	1	
9	03008530	Wiring harness W3	1	
10	03008150	Wiring harness W9	1	
11	03008160	Wiring harness W11	1	
12	03008170	Cable loom	1	
13	03008180	Cable loom	1	
14	01170450	Clamping plate	1	
15	00053730	Washer	2	
16	00042900	Washer	1	
17	00053090	Hexagon screw	1	
18	00121150	Cable tie	13	
19	00967760	Cable tie	14	
20	01078630	Sheet metal	1	
21	01170500	Distance plate	1	
22	00535110	Hex.bolt	2	

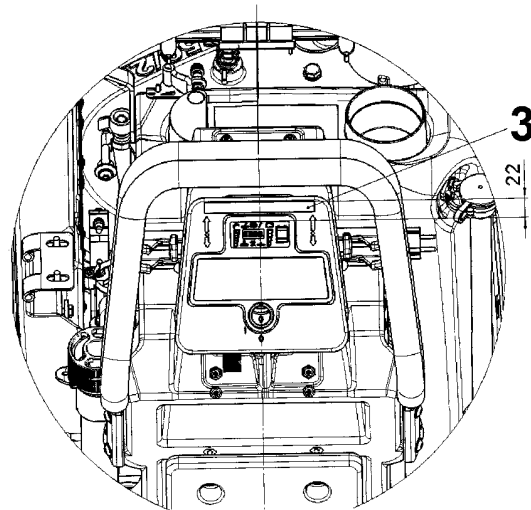
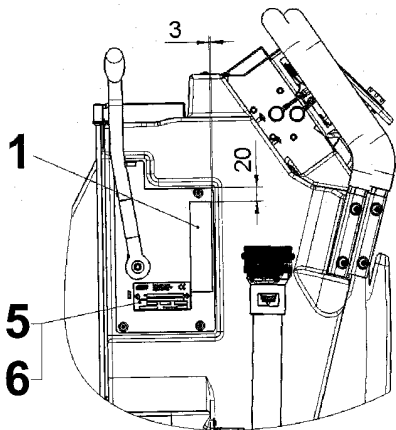
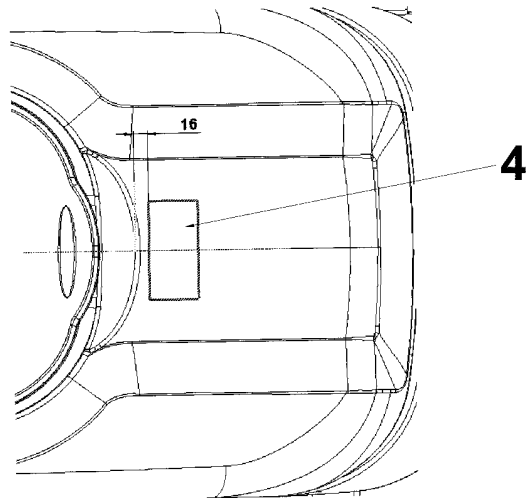
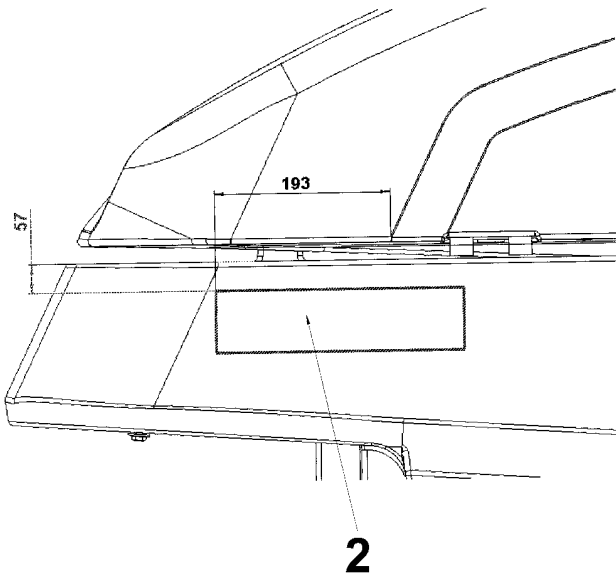
Battery charger 24V 22A (97099436)



Battery charger 24V 22A (97099436)

Item	Part number	Description	Qty.	Remarks
1	01079380	Power cable	1	
2	01017640	Lens flange screw	2	
3	01074240	Cap	2	To stick on pos.12 with Loctite!
4	01079360	Covering	1	
5	01079370	On-board charger 24V 22A 120V	1	
6	01077870	Tension band	1	
7	01078320	Hose	3	
8	00121150	Cable tie	8	
9	00967760	Cable tie	1	
10	03006770	Wire harness W6	1	
11	01172530	Retool kit BATTERY CHARGER 30A	1	
12	01079390	Cable retainer	1	
13	01178010	Attachment base	1	
14	03009180	Grease	1	
15	00054410	Hex.bolt	1	
16	00053720	Washer	1	

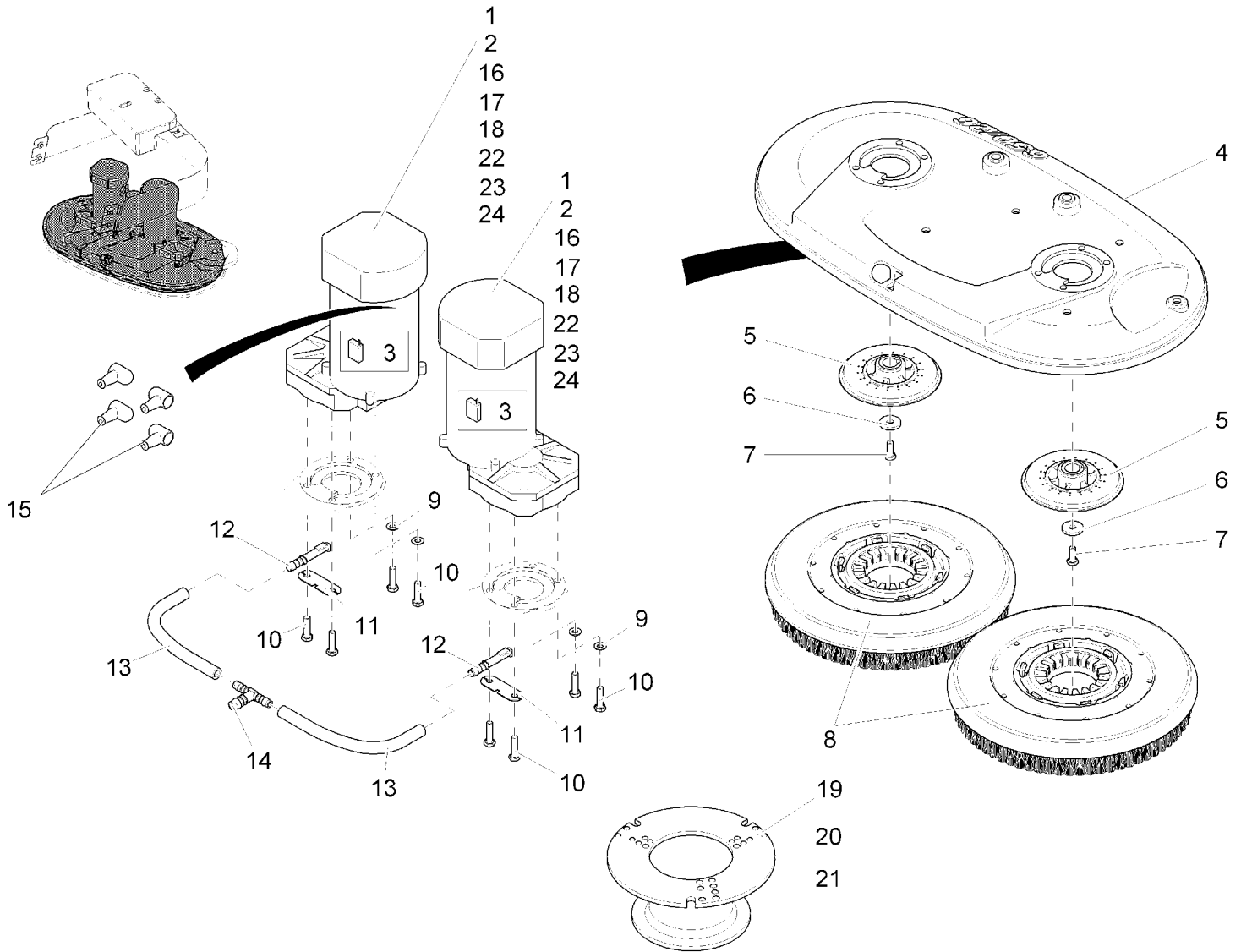
Labels (97099972)



Labels (97099972)

Item	Part number	Description	Qty.	Remarks
1	01170740	Decal	1	
2	03008490	Decal PHOENIX 28	2	
3	03008500	Decal PHOENIX SERIES	1	
4	03008510	Decal POWER BOSS	1	
5	03008410	Type plate POWERBOSS	1	
6	00504370	Blind rivet	2	

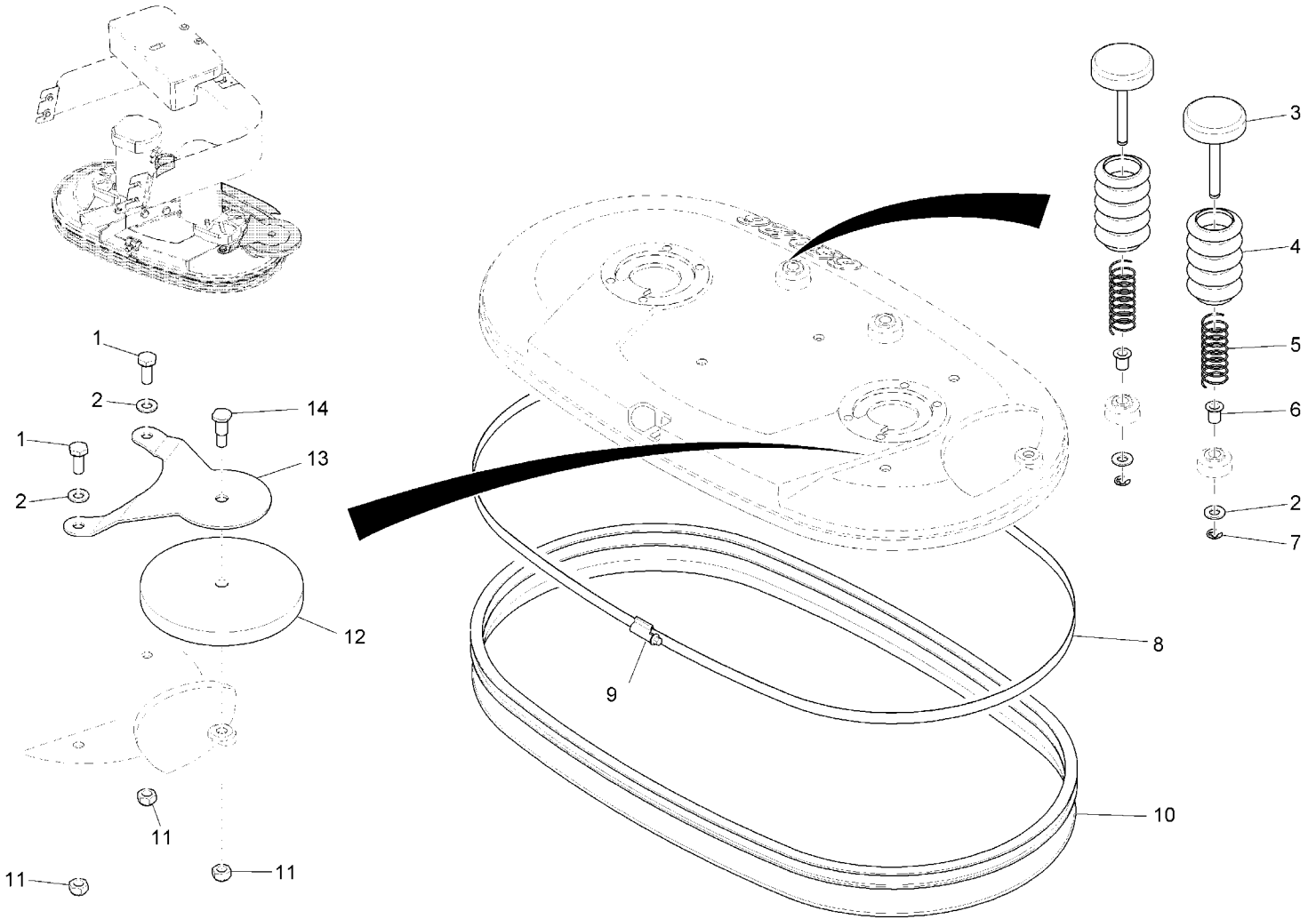
Brush head DB650 part 1 (97099196-7062-33)



Brush head DB650 part 1 (97099196-7062-33)

Item	Part number	Description	Qty.	Remarks
1	01077180	Motor	2	
2	01077230	Fitting key	2	
3	01077240	Set (4pc.) Carbon brush	1	
4	03008050	Housing	1	
5	00512400	Carrier	2	
6	00879170	Washer	2	
7	00053090	Hexagon screw	2	
8	99751900	Brush 330 SI-enforced PA 1,0	2	
9	00053750	Washer	4	
10	00053110	Hexagon screw	8	
11	01077750	Sheet metal	2	
12	01078330	Spray tube	2	
13	00180190	Hose	460mm	
14	00901310	T-reducer muff	1	
15	01078070	Protection cap	4	
16	01077250	Spring	1	
17	01077210	Gear	1	
18	01077220	Circlip	1	
19	00681500	Center-lock, lower part	1	
20	00961490	Self tapping screw	6	
21	00681490	Center-lock, upper part	1	
22	01178440	Covering	1	
23	01178450	Covering	1	
24	01178460	Bolt	1	

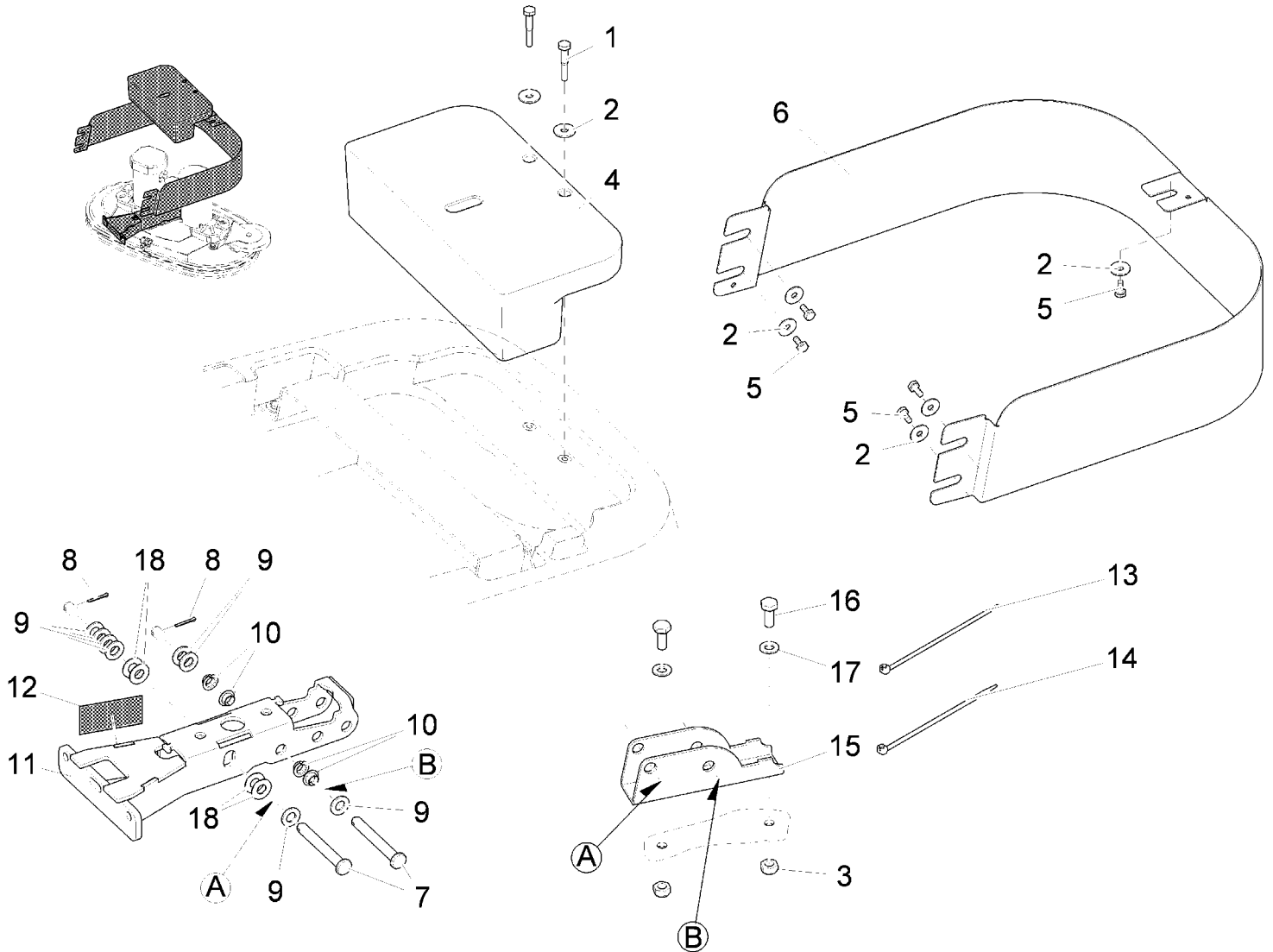
Brush head DB650 part 2 (97099196-2)



Brush head DB650 part 2 (97099196-2)

Item	Part number	Description	Qty.	Remarks
1	00053310	Hexagon screw	2	
2	00053760	Washer	4	
3	01078000	Ejector	2	
4	01078350	Bellow	2	
5	01078340	Compression spring	2	
6	01078360	Slide bearing bush	2	
7	00046280	Thrust washer	2	
8	00712300	Tension band	1840mm	
9	00901390	Tension band lock	1	
10	01077490	Sealing strip	1	
11	00051500	Hexagon nut	3	
12	01078060	Deflector roller	1	
13	01077560	Retainer	1	
14	01077570	Screw	1	

Brush head DB650 part 3 (97099196-3)



Brush head DB650 part 3 (97099196-3)

Item	Part number	Description	Qty.	Remarks
1	00053120	Hexagon screw	2	
2	00042900	Washer	7	
3	00051500	Hexagon nut	2	
4	03008090	Weight	1	
5	00053080	Hexagon screw	5	
6	01170210	Covering	1	
7	01078040	Bolt	2	
8	00054870	Cotter pin	2	
9	00053770	Washer	8	
10	01171330	Slide bearing bush	4	
11	01171350	Rocker	1	
12	03008790	Backing film	1	
13	00121150	Cable tie	3	
14	00967760	Cable tie	2	
15	01171390	Retainer	1	
16	00053310	Hexagon screw	2	
17	00053760	Washer	2	
18	01102770	Approach disk	4	

Warranty Information

Revision F
Effective November 1, 2008
PowerBoss Made Simple Industrial Limited Warranty

Minuteman International owner of PowerBoss warrants to the original purchaser/user that the product is free from defects in workmanship and materials under normal use. PowerBoss will, at its option, repair or replace without charge, parts that fail under normal use and service when operated and maintained in accordance with the applicable operation and instruction manuals. All warranty claims must be submitted through and approved by factory authorized repair stations.

This warranty does not apply to normal wear, or to items whose life is dependent on their use and care. Parts not manufactured by PowerBoss are covered by and subject to the warranties and/or guarantees of their manufacturers. Please contact Minuteman International for procedures in warranty claims against these manufacturers.

Special warning to purchaser -- Use of replacement parts not manufactured by PowerBoss or its designated licensees, will void all warranties expressed or implied. A potential health hazard exists without original equipment replacement.

All warranted items become the sole property of Minuteman International or PowerBoss or its original manufacturer, whichever the case may be.

PowerBoss disclaims any implied warranty, including the warranty of merchantability and the warranty of fitness for a particular purpose. PowerBoss assumes no responsibility for any special, incidental or consequential damages.

This limited warranty is applicable only in the U.S.A. and Canada, and is extended only to the original user/purchaser of this product. Customers outside the U.S.A. and Canada should contact their local distributor for export warranty policies. PowerBoss is not responsible for costs or repairs performed by persons other than those specifically authorized by PowerBoss. This warranty does not apply to damage from transportation, alterations by unauthorized persons, misuse or abuse of the equipment, use of non-compatible chemicals, or damage to property, or loss of income due to malfunctions of the product. If a difficulty develops with this machine, you should contact the dealer from whom it was purchased.

This warranty gives you specific legal rights, and you may have other rights, which vary from state to state. Some states do not allow the exclusion or limitation of special, incidental or consequential damages, or limitations on how long an implied warranty lasts, so the above exclusions and limitations may not apply to you.

	Travel*	Labor	Parts	Engine	Extended Warranty	Costs
Walk behinds						
Battery sweepers	Ninety days	One year	One year	N/A	2 years Parts + Labor (or 2000 Hours)	2%
IC sweepers	Ninety days	One year	One year	Through manufacturer	2 years Parts + Labor (or 2000 Hours)	2%
Battery scrubbers	Ninety days	Two years	Three years	N/A	3 Years Parts + Labor (or 3000 Hours)	2%
Riders						
Battery scrubbers	Ninety days	Two years	Three years/2000 hrs	N/A	3 Years Parts + Labor (or 3000 Hours)	2%
IC sweeper/scrubbers	Ninety days	Six months	Two years/2000 hrs	Two years/3000 hrs**	2 years Parts + Labor (or 2000 Hours)	3%
IC sweepers	Ninety days	Six months	Four years/3000 hrs	Five years/3000 hrs**	4 Years Parts + 2 Years Labor (or 4000 Hours)	3%
Exceptions						
Apex series sweeper	Ninety days	One year	One year/1000 hrs	One year/1000 hrs**	2 years Parts + Labor (or 2000 Hours)	3%
6X sweeper	Ninety days	Six months	Two years/2000 hrs	Two years/2000 hours**	2 years Parts + Labor (or 2000 Hours)	3%

Tank Bladders Eight years/ no additional labor
Polypropylene plastic tanks Ten years/ no additional labor
Batteries 0-3 months full replacement, 4-12 prorated credit
Chargers One-year replacement
Replacement parts Ninety days

*Two-hour cap

**Through engine manufacturer. See section 3 of warranty manual for engine warranty exceptions

*** Based upon dealer's certification status

Extended Warranty MUST be signed up within 30 days of delivery to End User (Dealer has 1Year from Receiving Machine to Sign up extended Warranty)

Extended Warranty Cost is based on Invoice Price multiplied by the Percentage listed in the Extended Warranty Column

All above labor and travel reimbursed at 65 or 75% of the published shop rate.



“The Power of Clean”

PowerBoss Is A Full Line Manufacturer Of Sweepers and Scrubbers For Industrial Facilities.

PowerBoss, Inc. 175 Anderson Street P.O. Box 1227- Aberdeen North Carolina 28315

Phone: 800-982-7141 - Fax: 1-800-277-7141 Local: 910-944-2105 Fax: 910-944-7409 e-mail: techsupport@powerboss.com

A Member Of The Hako Group